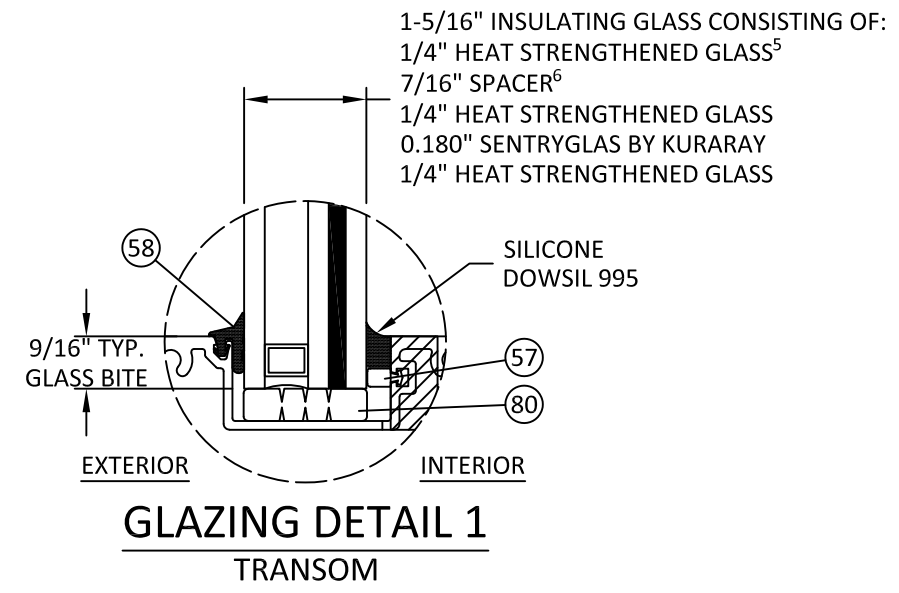
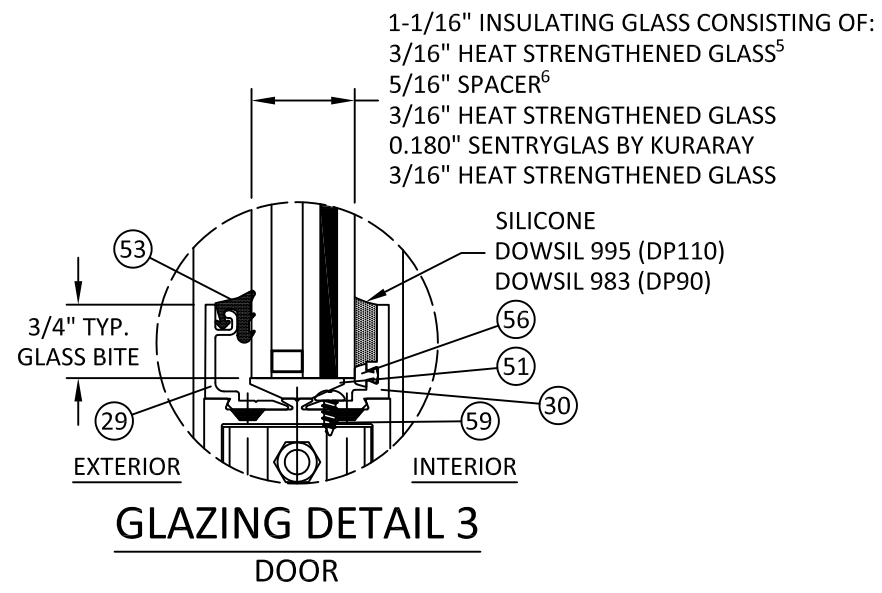
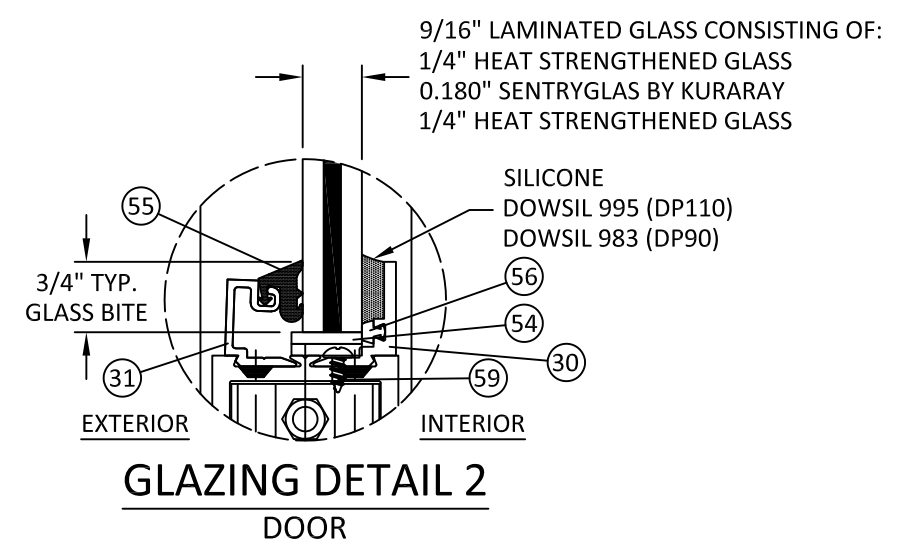


c:\users\msun\building_drops, inc\building_drops, inc\projects\oldcastle_building_envelope\bc-24-0633 - fbc_submittal - f46731_rugged_stormmax_entrance_doors (missile level e)\dwg\oldcastle012.dwg 6/18/2024 5:04 PM



- GLAZING NOTES:
- GLASS TYPE & THICKNESS COMPLIES WITH ASTM E1300 REQUIREMENTS. TEMPER AND SAFETY GLAZING REQUIREMENTS SHALL BE REVIEWED ON A SITE SPECIFIC BASIS.
 - SETTING BLOCK DUROMETER HARDNESS OF 70-90 (SHORE A) AS REFERENCED IN FBC CHAPTER 24.
 - SETTING BLOCKS TO BE LOCATED AT 1/4 SPAN LENGTH FOR GLASS WIDER THAN 36" AS PER FBC CHAPTER 24.
 - D.L.O. AND DESIGN PRESSURES MAY NOT EXCEED MAX VALUES IN SHEETS 1, 3, &4.
 - WHEN USED FOR SMALL MISSILE IMPACT PROTECTION, THE SACRIFICIAL GLASS SHALL BE TEMPERED TREATED.
 - A CHANGE IN SPACER TYPE, SHAPE, OR DIMENSION IS ALLOWED AUTOMATICALLY. SEE TABLE BELOW FOR SPACER OPTIONS.

GLASS SPACER OPTIONS	
OPTION #	SPACER TYPE
1	ALUMINUM BOX SPACER
2	TECHNOFORM TGI-SPACER
3	QUANEX SUPER SPACER T-SPACER
4	FULLER K4SG (THERMOPLASTIC SPACER)



TITLE: RUGGED STORMMAX ENTRANCE DOOR (MISSILE LEVEL E IMPACT RATED)

GLAZING DETAILS

PREPARED BY: BUILDING DROPS, INC.
 1900 NE MIAMI CT., STE. 2-15
 MIAMI, FL 33132
 PH: (954) 399-8478
 FAX: (954) 744-4738
 WEB: www.buildingdrops.com

REMARKS	BY	DATE
MISC. REVISION	MS	6/18/2024

THE INSTALLATION DETAILS DESCRIBED HEREIN ARE GENERIC AND MAY NOT REFLECT ACTUAL CONDITIONS FOR A SPECIFIC SITE. IF SITE CONDITIONS CAUSE INSTALLATION TO DEVIATE FROM THE REQUIREMENTS DETAILED HEREIN, A LICENSED ENGINEER OR ARCHITECT SHALL PREPARE SITE SPECIFIC DOCUMENTS FOR USE WITH THIS DOCUMENT.

HERMES F. NORERO, P.E.
 FLORIDA P.E. No. 73778
 BUILDING DROPS, INC
 1900 NE MIAMI CT., STE. 2-15
 MIAMI, FL 33132
 FBPE CERT. OF AUTHORIZATION No. 29578

FL #: **FL46731**

DATE: **04.11.2024**

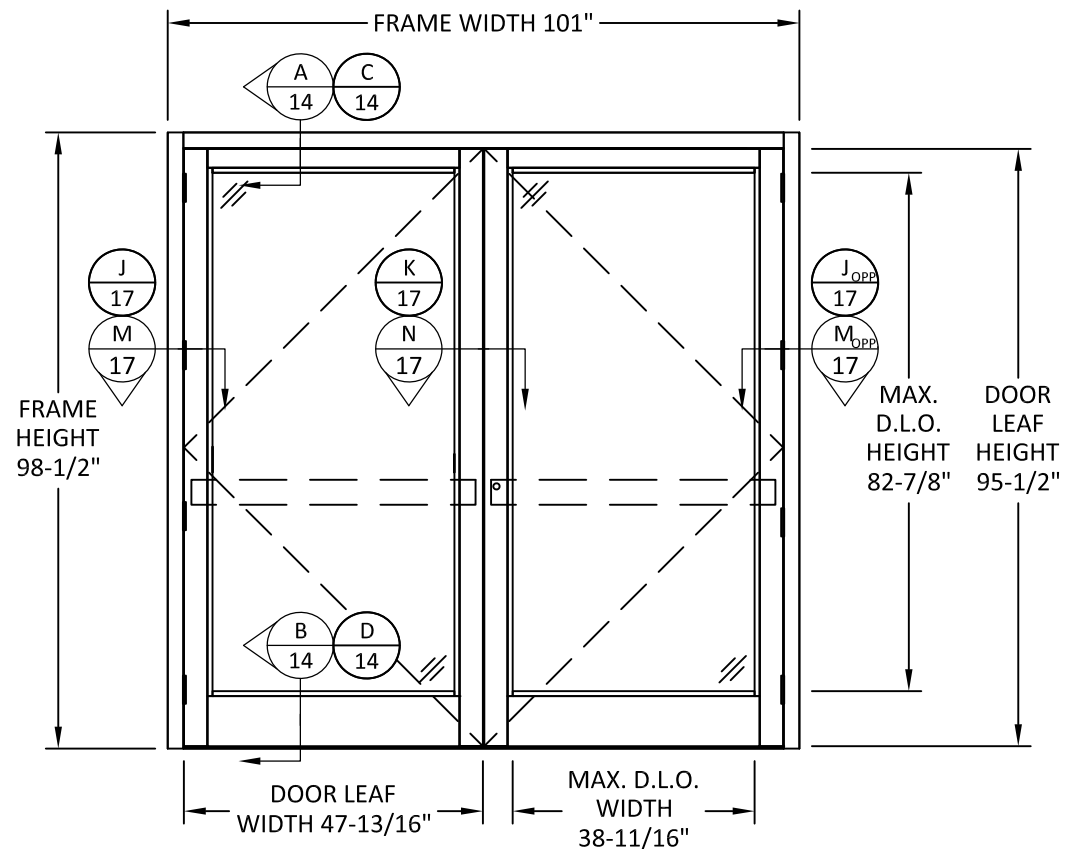
DWG. BY: **MS** CHK. BY: **HFN**

SCALE: **NTS**

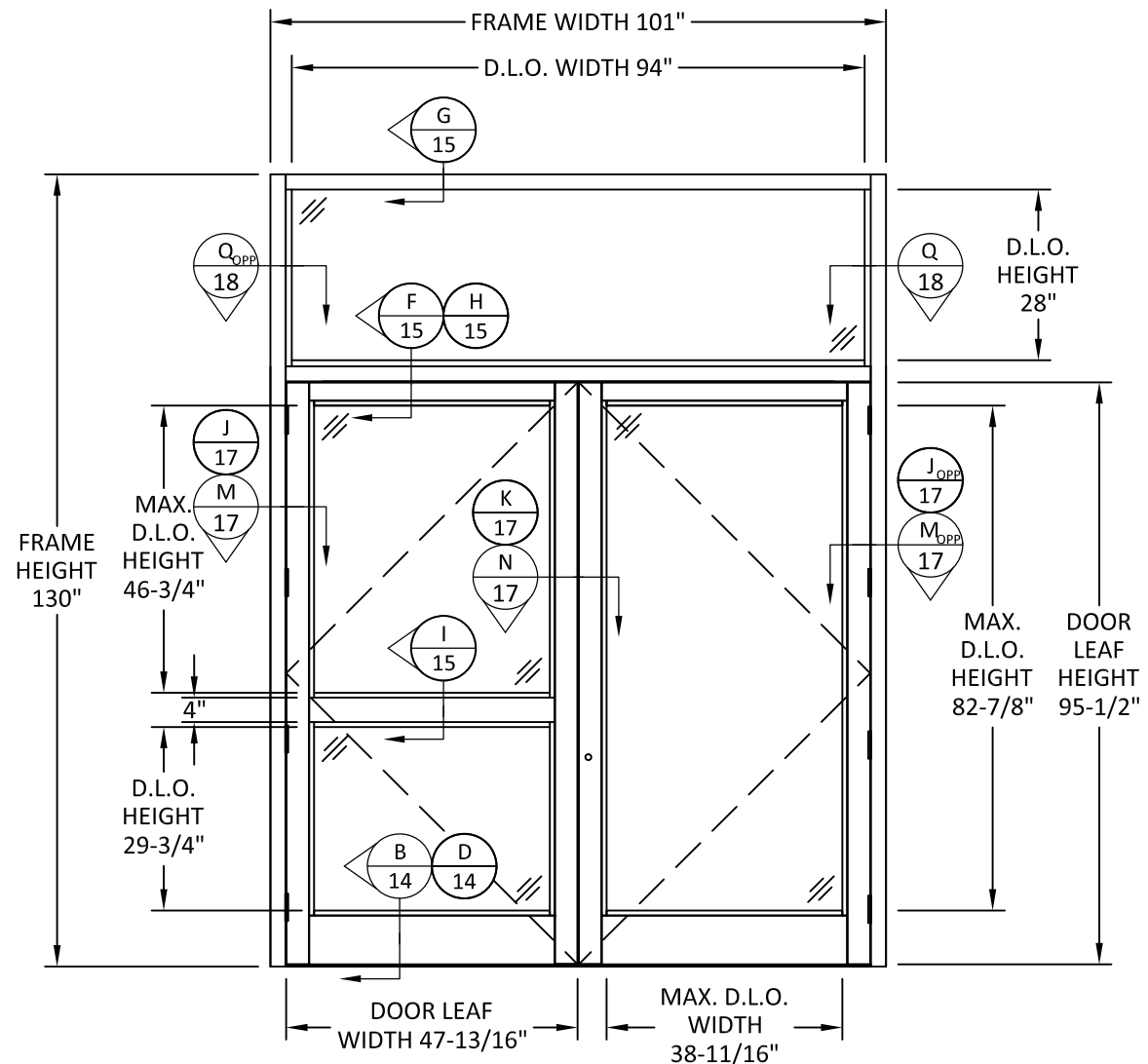
DWG. #: **OBE012**

SHEET: **2** OF 23

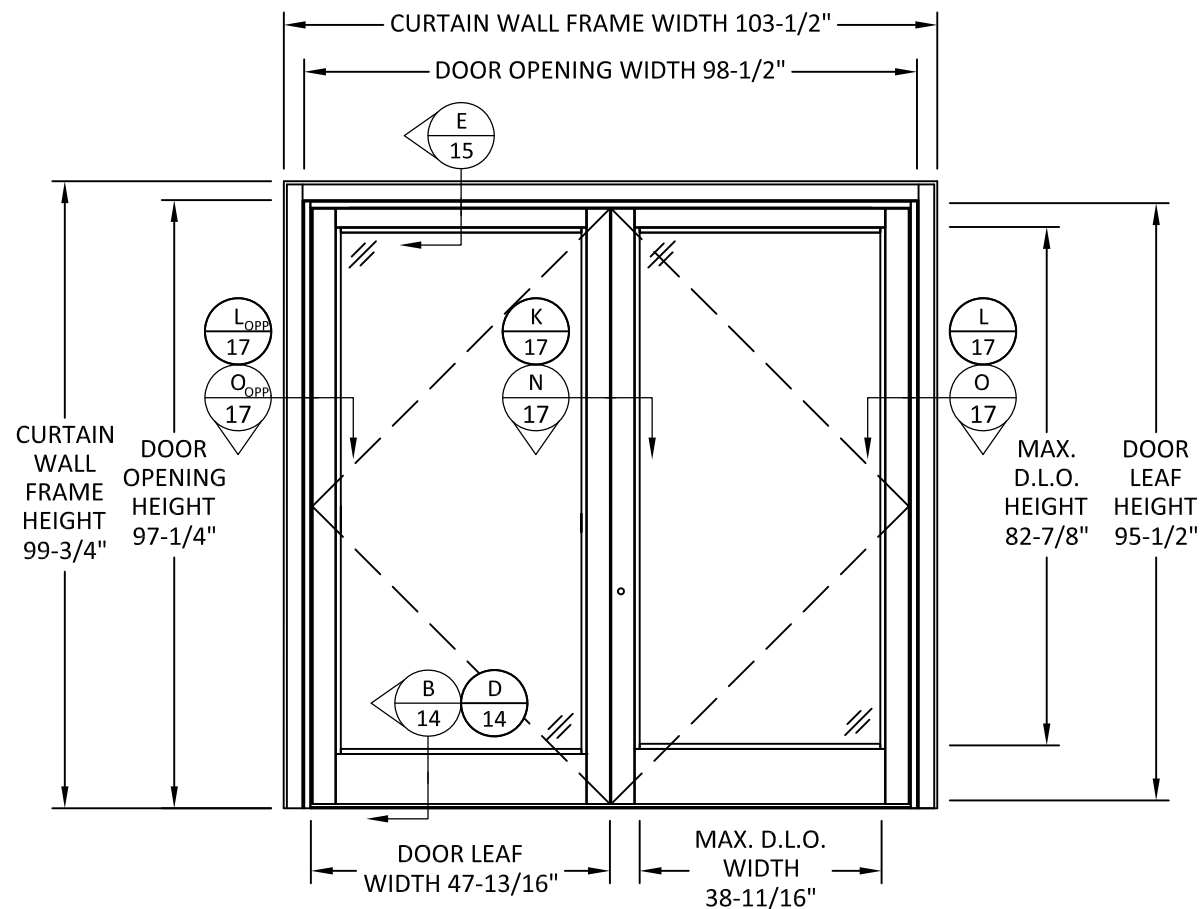
c:\users\msun\building_drops, inc\building_drops, inc\building_envelope\oldcastle_building_envelope\bc-24-0633 - fbc_submittal - f46731_rugged_stormmax_entrance_doors (missile level e)\dwg\oldcastle012.dwg 6/18/2024 5:04 PM



TYPICAL ELEVATION



**TYPICAL ELEVATION
W/ TRANSOM**



**TYPICAL ELEVATION
W/ CURTAIN WALL FRAME**

ITEM #	OBE PART #	HARDWARE	DESIGN PRESSURE
A	LK-1	ADAMS RITE 1853A-310 DEADLOCK	+/-110 PSF
B	LK-4	ADAMS RITE 4015 THRESHOLD BOLT	+/-110 PSF
C	LK-5	ADAMS RITE 4016 HEADER BOLT	+/-110 PSF
D	MH-7	ADAMS RITE 41-0828 LOCK ROD GUIDE	+/-110 PSF
E	FB-15	CALIBRE FB-1201-VRM (BOTTOM OF DOOR) FLUSH BOLTS	+/-110 PSF
F	FB-16	CALIBRE FB-1201-VRM-96 (TOP OF DOOR) FLUSH BOLTS	+/-110 PSF
G	BH-6	REGENT 4001SS BALL BEARING BUTT HINGES OR EQUAL	+/-110 PSF
H	GH-02	PEMKO FMSLI-HD1 GEAR HINGES OR EQUAL	+/-110 PSF
I	VARIES	CONCEALED CLOSER OR EQUAL	+/-110 PSF
J	VARIES	SURFACE CLOSER OR EQUAL	+/-110 PSF
K	CY-1	CYLINDER	+/-110 PSF
L	PNC-14	FIRST CHOICE FLX3690H CONCEALED VERTICAL ROD EXIT DEVICE	+/-90 PSF
M	PNC-15	FIRST CHOICE FLX8660H CONCEALED VERTICAL ROD EXIT DEVICE	+/-90 PSF
N	CY-5	CYLINDER W/ CVR EXIT DEVICE	+/-90 PSF

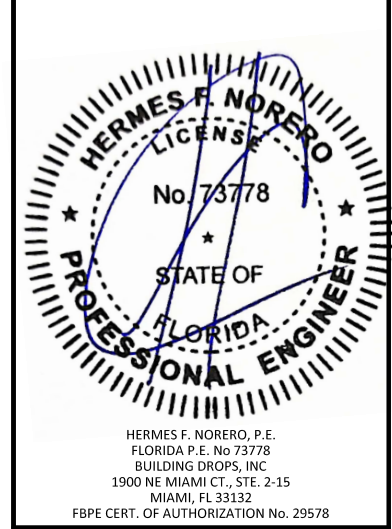


OLDCASTLE BUILDINGENVELOPE®
8655 ELM FAIR BLVD.
TAMPA, FL 33610
PH: (972) 551-6100

TITLE: RUGGED STORMMAX ENTRANCE DOOR (HVHZ) (MISSILE LEVEL E IMPACT RATED)
PREPARED BY: BUILDING DROPS, INC.
1900 NE MIAMI CT., STE. 2-15
MIAMI, FL 33132
PH: (954) 399-8478
FAX: (954) 744-4738
WEB: www.buildingdrops.com

REMARKS	BY	DATE
MISC. REVISION	MS	6/18/2024

THE INSTALLATION DETAILS DESCRIBED HEREIN ARE GENERIC AND MAY NOT REFLECT ACTUAL CONDITIONS FOR A SPECIFIC SITE. IF SITE CONDITIONS CAUSE INSTALLATION TO DEVIATE FROM THE REQUIREMENTS DETAILED HEREIN, A LICENSED ENGINEER OR ARCHITECT SHALL PREPARE SITE SPECIFIC DOCUMENTS FOR USE WITH THIS DOCUMENT.



FL #: **FL46731**

DATE: **04.11.2024**

DWG. BY: **MS** CHK. BY: **HFN**

SCALE: **NTS**

DWG. #: **OBE012**

SHEET: **3**

c:\users\msun\building_drops, inc\building_drops, inc\projects\oldcastle_building_envelope\bc-24-0633 - fbc_submittal - f146731_rugged_stormmax_entrance_doors (missile level e) (dwg) (vba) 012.dwg 6/18/2024 5:04 PM

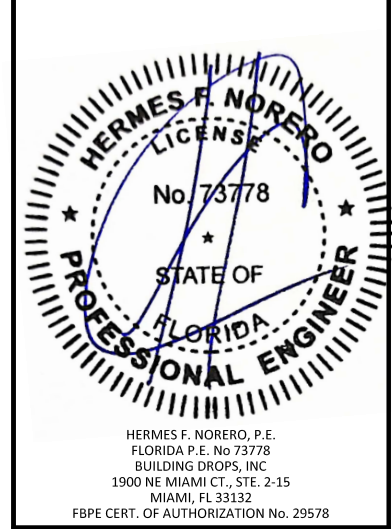


OLDCASTLE BUILDINGENVELOPE®
 8655 ELM FAIR BLVD.
 TAMPA, FL 33610
 PH: (972) 551-6100

TITLE: RUGGED STORMMAX ENTRANCE DOOR (HVHZ) (MISSILE LEVEL E IMPACT RATED)
 ANCHOR LAYOUTS (WOOD SUBSTRATE)
 PREPARED BY: BUILDING DROPS, INC.
 1900 NE MIAMI CT., STE. 2-15
 MIAMI, FL 33132
 PH: (954) 399-8478
 FAX: (954) 744-4738
 WEB: www.buildingdrops.com

REMARKS	BY	DATE
MISC. REVISION	MS	6/18/2024

THE INSTALLATION DETAILS DESCRIBED HEREIN ARE GENERIC AND MAY NOT REFLECT ACTUAL CONDITIONS FOR A SPECIFIC SITE. IF SITE CONDITIONS CAUSE INSTALLATION TO DEVIATE FROM THE REQUIREMENTS DETAILED HEREIN, A LICENSED ENGINEER OR ARCHITECT SHALL PREPARE SITE SPECIFIC DOCUMENTS FOR USE WITH THIS DOCUMENT.



FL #: **FL46731**

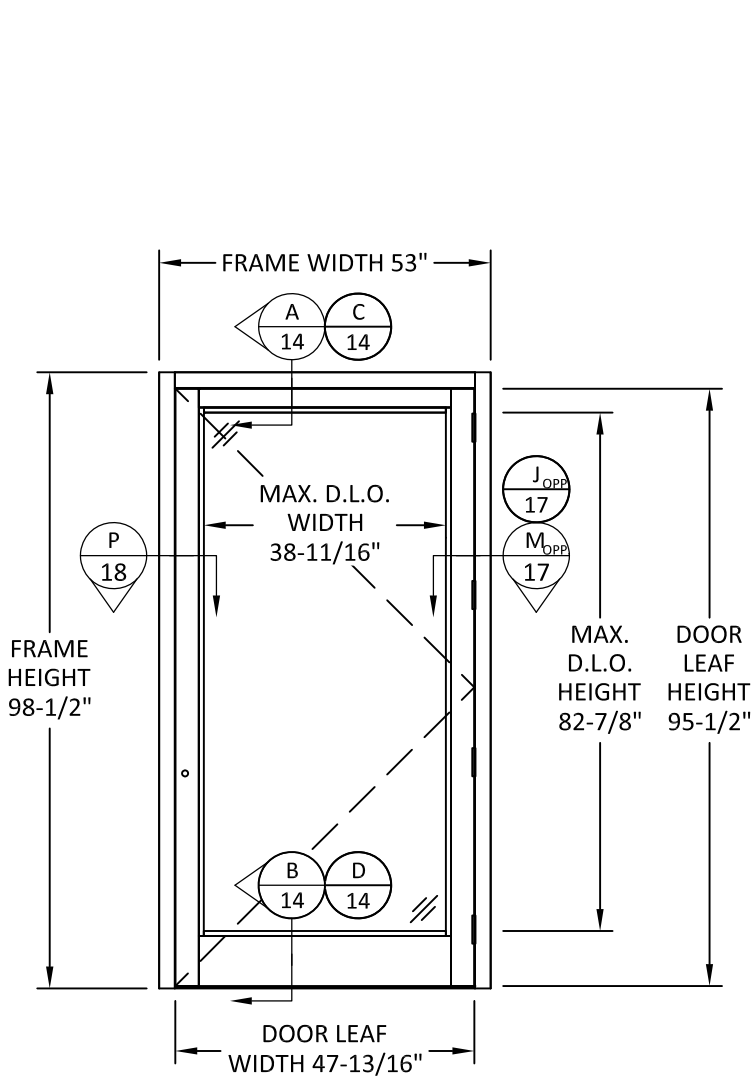
DATE: **04.11.2024**

DWG. BY: **MS** CHK. BY: **HFN**

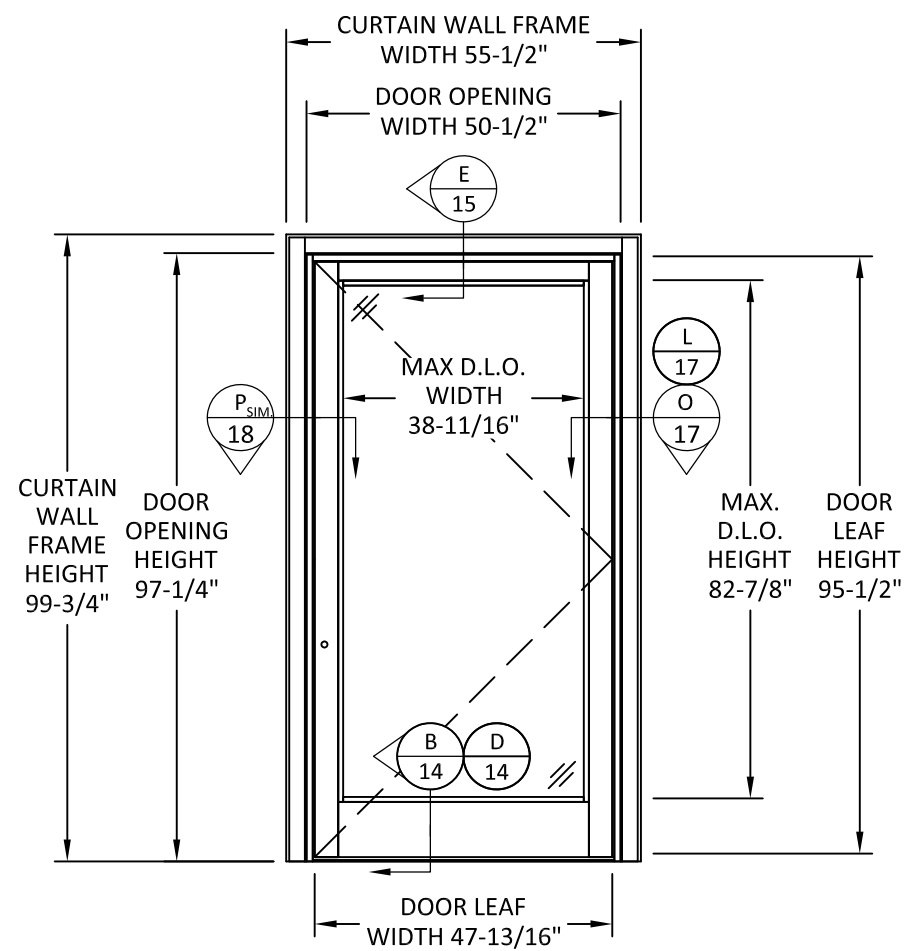
SCALE: **NTS**

DWG. #: **OBE012**

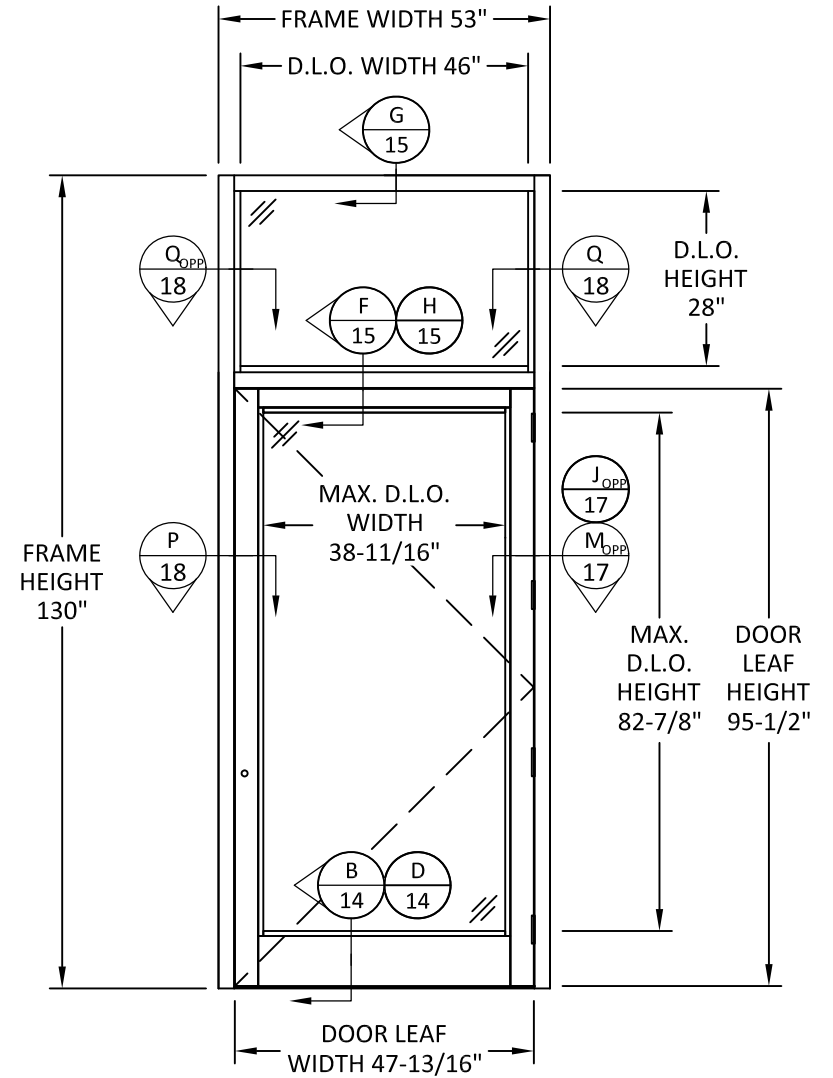
SHEET: **4**



TYPICAL ELEVATION
SINGLE DOOR



TYPICAL ELEVATION
SINGLE DOOR W/ CURTAIN WALL FRAME



TYPICAL ELEVATION
SINGLE DOOR W/ TRANSOM

c:\users\msun\building_drops, inc\building_drops, inc\projects\oldcastle_building_envelope\bc-24-0633 - fbc_submittal - f46731_rugged_stormmax_entrance_doors (missile level e)\dwg\labe012.dwg 6/18/2024 5:04 PM

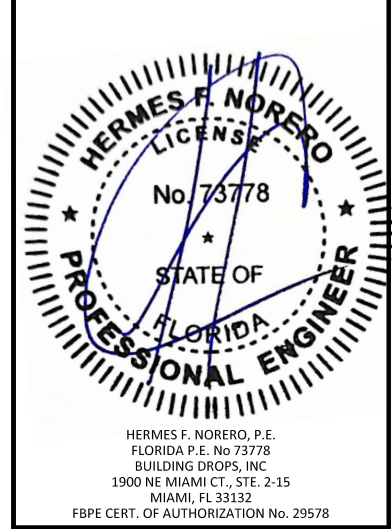


OLDCASTLE BUILDINGENVELOPE®
 8655 ELM FAIR BLVD.
 TAMPA, FL 33610
 PH: (972) 551-6100

TITLE: RUGGED STORMMAX ENTRANCE DOOR (HVHZ) (MISSILE LEVEL E IMPACT RATED)
 ANCHOR LAYOUTS (WOOD SUBSTRATE)
 PREPARED BY: BUILDING DROPS, INC.
 1900 NE MIAMI CT., STE. 2-15
 MIAMI, FL 33132
 PH: (954) 399-8478
 FAX: (954) 744-4738
 WEB: www.buildingdrops.com

REMARKS	BY	DATE
MISC. REVISION	MS	6/18/2024

THE INSTALLATION DETAILS DESCRIBED HEREIN ARE GENERIC AND MAY NOT REFLECT ACTUAL CONDITIONS FOR A SPECIFIC SITE. IF SITE CONDITIONS CAUSE INSTALLATION TO DEVIATE FROM THE REQUIREMENTS DETAILED HEREIN, A LICENSED ENGINEER OR ARCHITECT SHALL PREPARE SITE SPECIFIC DOCUMENTS FOR USE WITH THIS DOCUMENT.



HERMES F. NORERO, P.E.
 FLORIDA P.E. No. 73778
 BUILDING DROPS, INC.
 1900 NE MIAMI CT., STE. 2-15
 MIAMI, FL 33132
 FBPE CERT. OF AUTHORIZATION No. 29578

FL #: **FL46731**

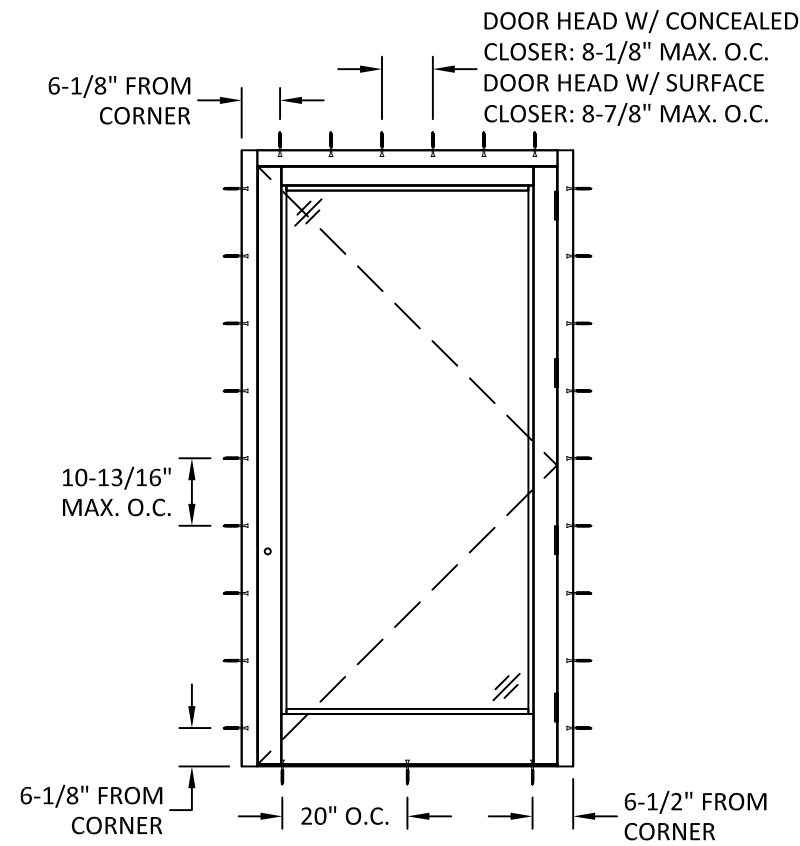
DATE: **04.11.2024**

DWG. BY: **MS** CHK. BY: **HFN**

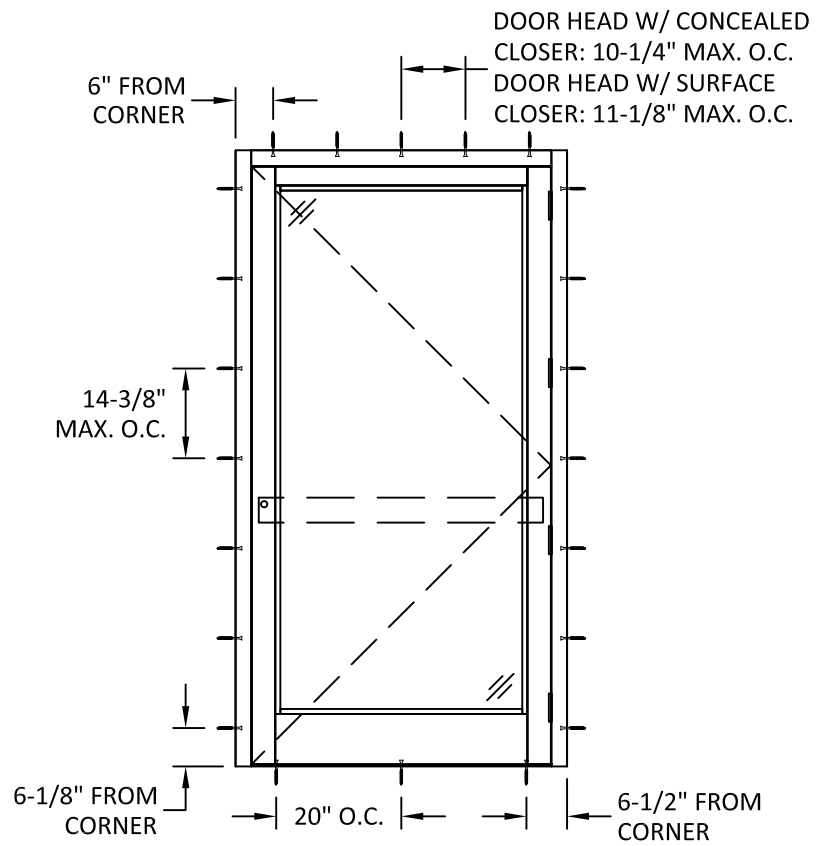
SCALE: **NTS**

DWG. #: **OBE012**

SHEET: **6** OF 23

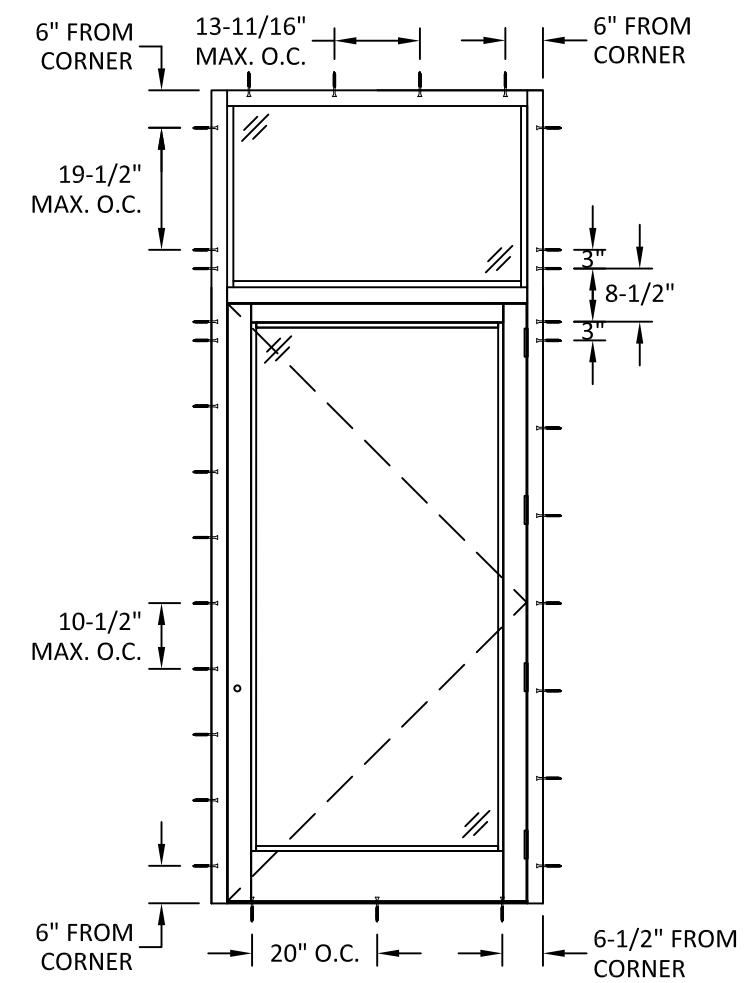


ANCHOR LAYOUT
 DP110, 1/4" ANCHOR, WOOD SUBSTRATE



ANCHOR LAYOUT
 DP90, 1/4" ANCHOR, WOOD SUBSTRATE

SEE SHEET 20 FOR 1/4" ANCHOR SPECIFICATIONS.



ANCHOR LAYOUT
 DP110, 1/4" ANCHOR, WOOD SUBSTRATE

c:\users\msun\building drops, inc\building drops, inc\projects\oldcastle building envelope\bc-24-0633 - fbc submittal - 146731 rugged stormmax entrance doors (missile level e)\dwg\labe012.dwg 6/18/2024 5:05 PM

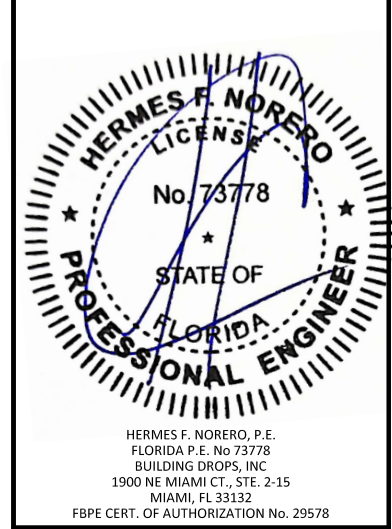


OLDCASTLE BUILDINGENVELOPE®
8655 ELM FAIR BLVD.
TAMPA, FL 33610
PH: (972) 551-6100

TITLE: RUGGED STORMMAX ENTRANCE DOOR (HVHZ) (MISSILE LEVEL E IMPACT RATED)
ANCHOR LAYOUTS (WOOD SUBSTRATE)
PREPARED BY: BUILDING DROPS, INC.
1900 NE MIAMI CT., STE. 2-15
MIAMI, FL 33132
PH: (954) 399-8478
FAX: (954) 744-4738
WEB: www.buildingdrops.com

REMARKS	BY	DATE
MISC. REVISION	MS	6/18/2024

THE INSTALLATION DETAILS DESCRIBED HEREIN ARE GENERIC AND MAY NOT REFLECT ACTUAL CONDITIONS FOR A SPECIFIC SITE. IF SITE CONDITIONS CAUSE INSTALLATION TO DEVIATE FROM THE REQUIREMENTS DETAILED HEREIN, A LICENSED ENGINEER OR ARCHITECT SHALL PREPARE SITE SPECIFIC DOCUMENTS FOR USE WITH THIS DOCUMENT.



HERMES F. NORERO, P.E.
FLORIDA P.E. No. 73778
BUILDING DROPS, INC.
1900 NE MIAMI CT., STE. 2-15
MIAMI, FL 33132
FBPE CERT. OF AUTHORIZATION No. 29578

FL #: **FL46731**

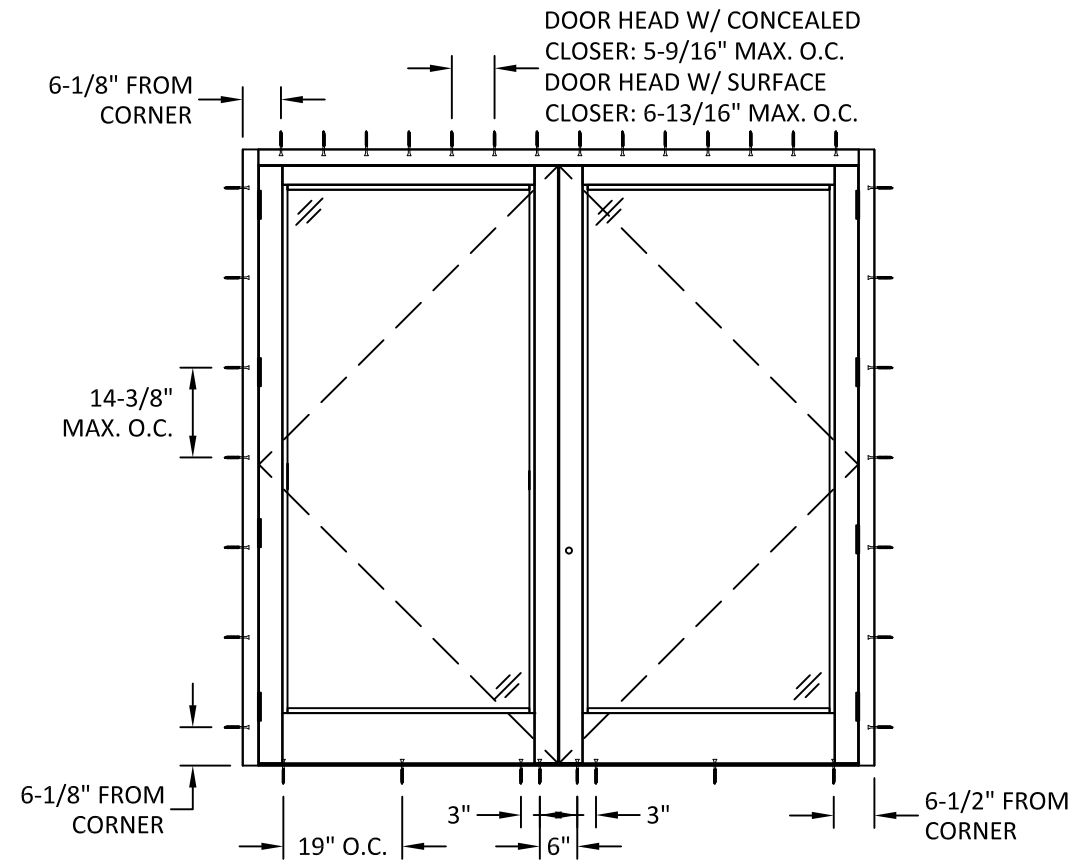
DATE: **04.11.2024**

DWG. BY: **MS** CHK. BY: **HFN**

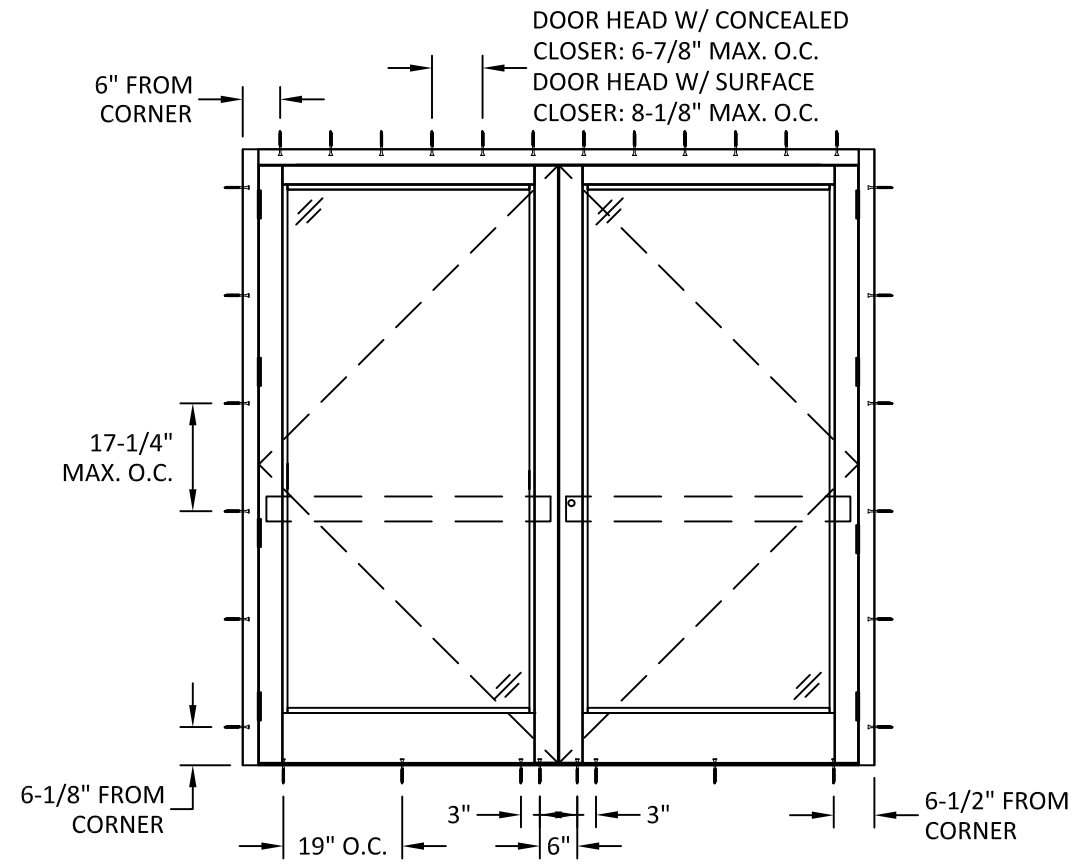
SCALE: **NTS**

DWG. #: **OBE012**

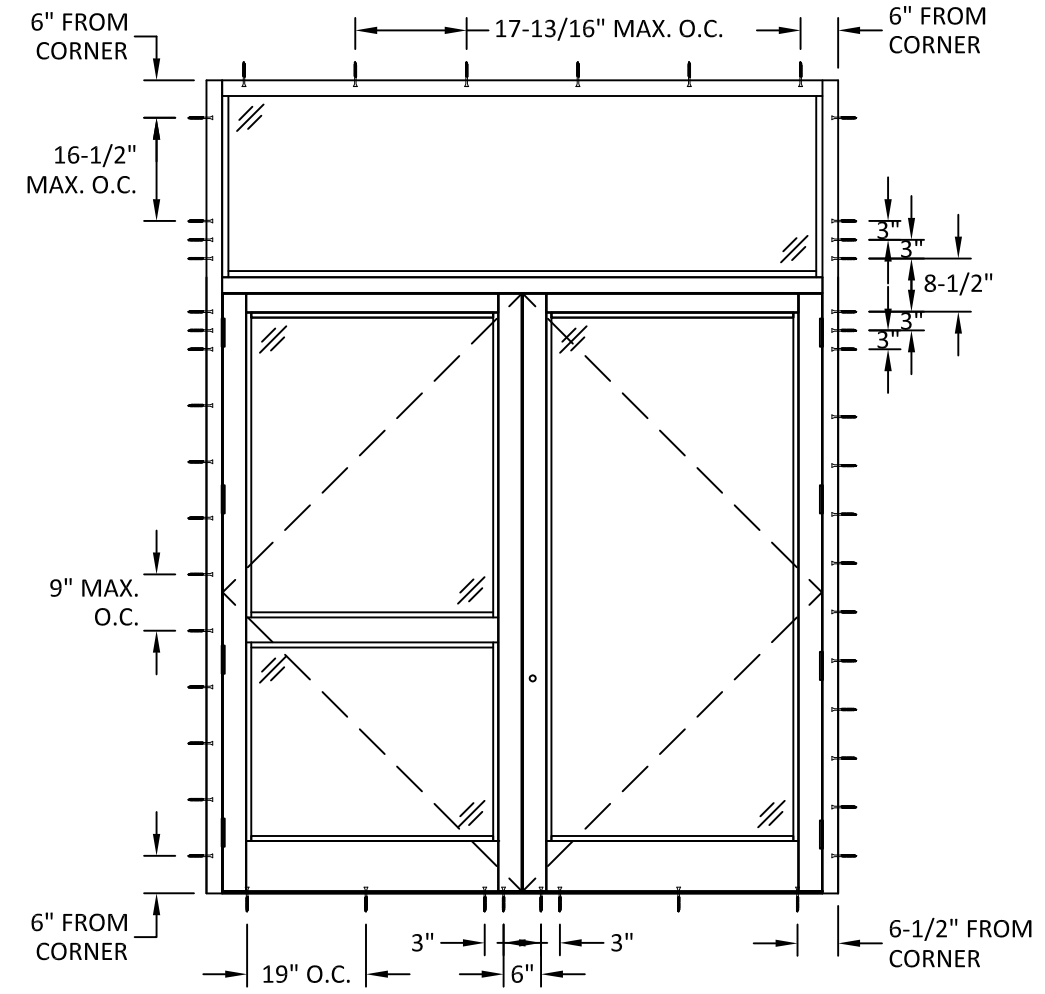
SHEET: **7** OF 23



ANCHOR LAYOUT
DP110, 5/16" ANCHOR, WOOD SUBSTRATE



ANCHOR LAYOUT
DP90, 5/16" ANCHOR, WOOD SUBSTRATE



ANCHOR LAYOUT
DP110, 5/16" ANCHOR, WOOD SUBSTRATE

SEE SHEET 20 FOR 5/16" ANCHOR SPECIFICATIONS.

c:\users\msun\building_drops, inc\building_drops, inc\projects\oldcastle_building_envelope\bc-24-0633 - fbc_submittal - f146731_rugged_stormmax_entrance_doors (missile level e)\dwg\012.dwg 6/18/2024 5:05 PM

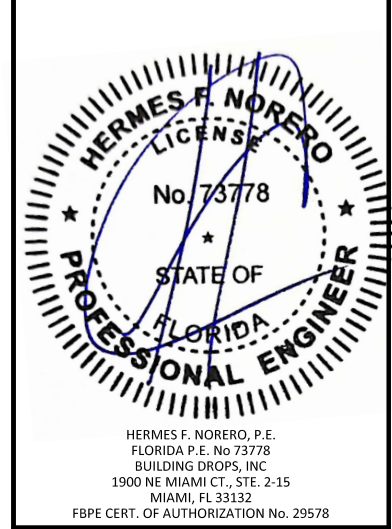


OLDCASTLE BUILDINGENVELOPE®
 8655 ELM FAIR BLVD.
 TAMPA, FL 33610
 PH: (972) 551-6100

TITLE: RUGGED STORMMAX ENTRANCE DOOR (HVHZ) (MISSILE LEVEL E IMPACT RATED)
 ANCHOR LAYOUTS (WOOD SUBSTRATE)
 PREPARED BY: BUILDING DROPS, INC.
 1900 NE MIAMI CT., STE. 2-15
 MIAMI, FL 33132
 PH: (954) 399-8478
 FAX: (954) 744-4738
 WEB: www.buildingdrops.com

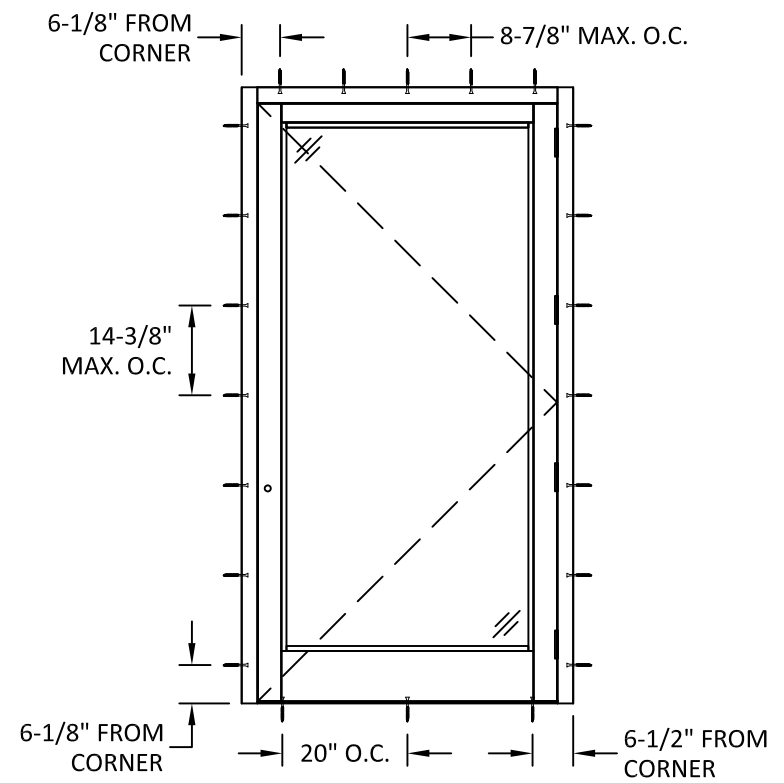
REMARKS	BY	DATE
MISC. REVISION	MS	6/18/2024

THE INSTALLATION DETAILS DESCRIBED HEREIN ARE GENERIC AND MAY NOT REFLECT ACTUAL CONDITIONS FOR A SPECIFIC SITE. IF SITE CONDITIONS CAUSE INSTALLATION TO DEVIATE FROM THE REQUIREMENTS DETAILED HEREIN, A LICENSED ENGINEER OR ARCHITECT SHALL PREPARE SITE SPECIFIC DOCUMENTS FOR USE WITH THIS DOCUMENT.

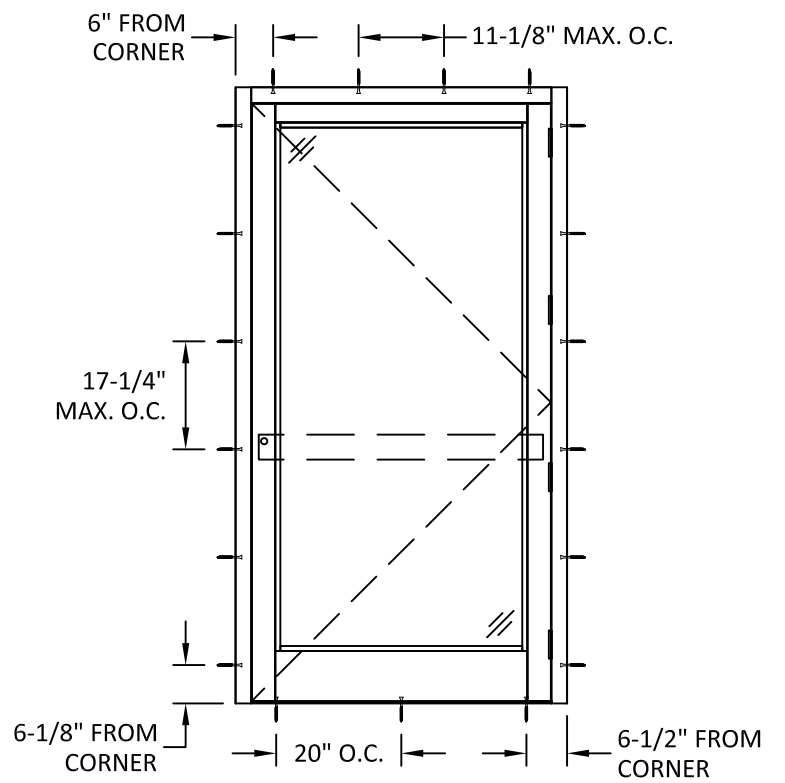


FL #: **FL46731**
 DATE: **04.11.2024**
 DWG. BY: **MS** CHK. BY: **HFN**
 SCALE: **NTS**
 DWG. #: **OBE012**

SHEET: **8**
 OF 23

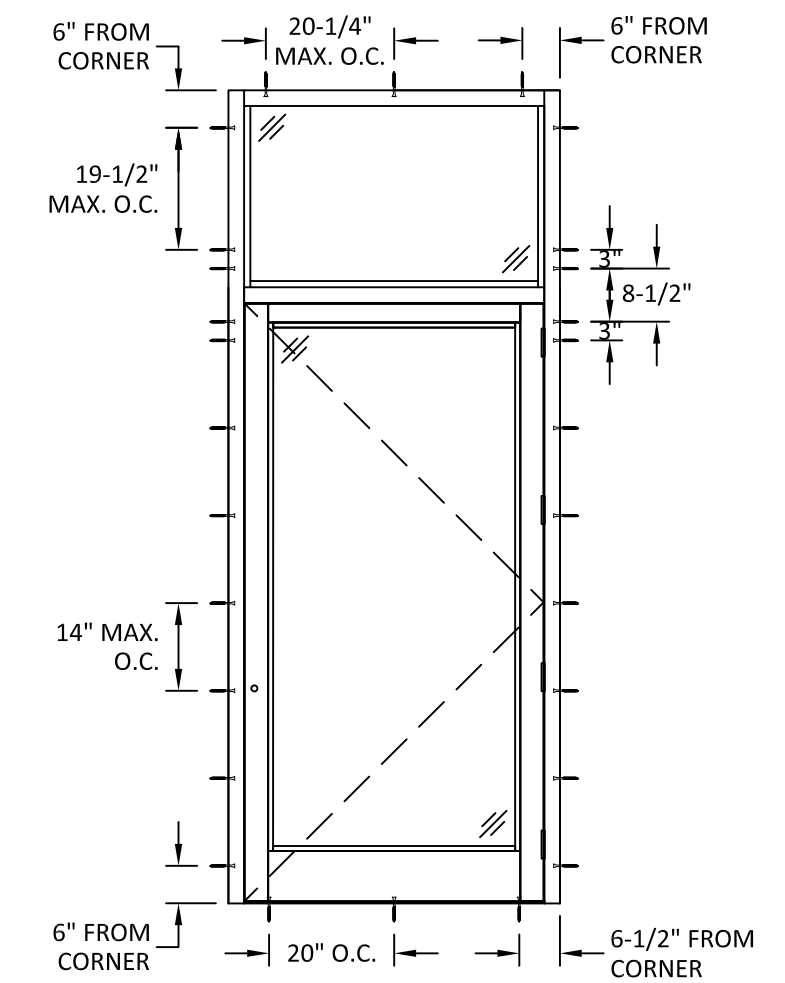


ANCHOR LAYOUT
 DP110, 5/16" ANCHOR, WOOD SUBSTRATE



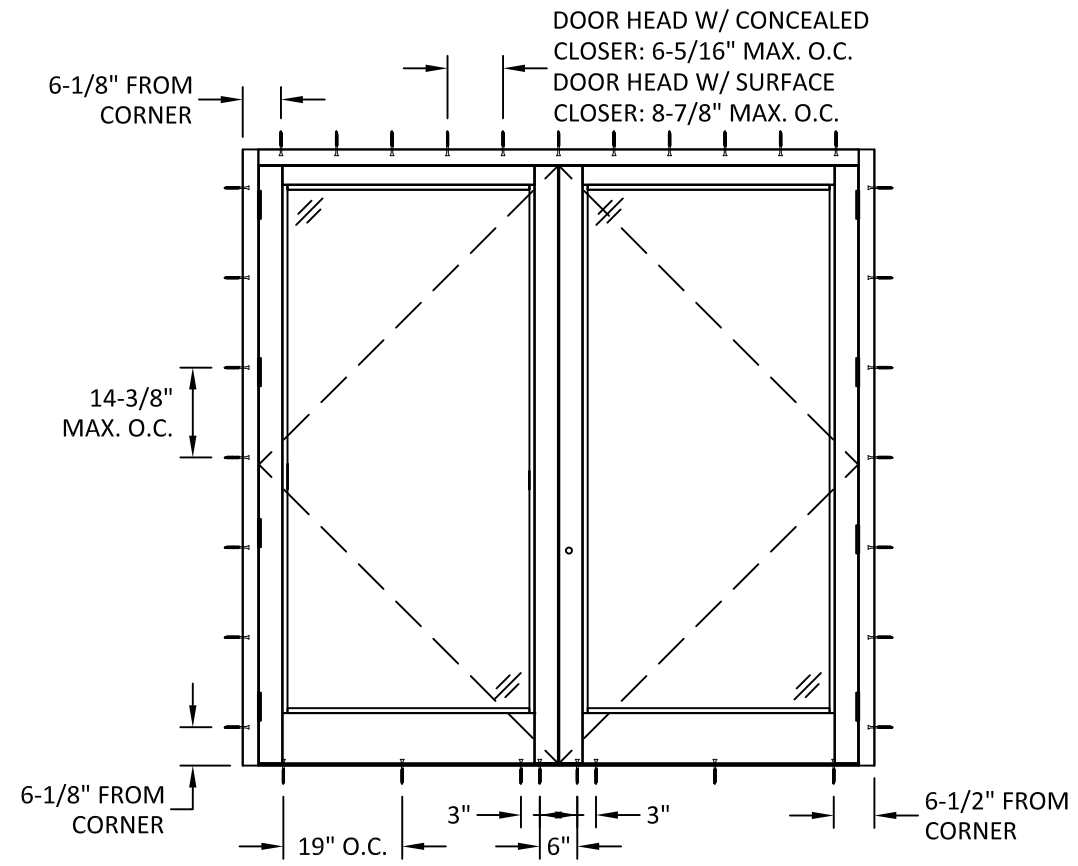
ANCHOR LAYOUT
 DP90, 5/16" ANCHOR, WOOD SUBSTRATE

SEE SHEET 20 FOR 5/16" ANCHOR SPECIFICATIONS.

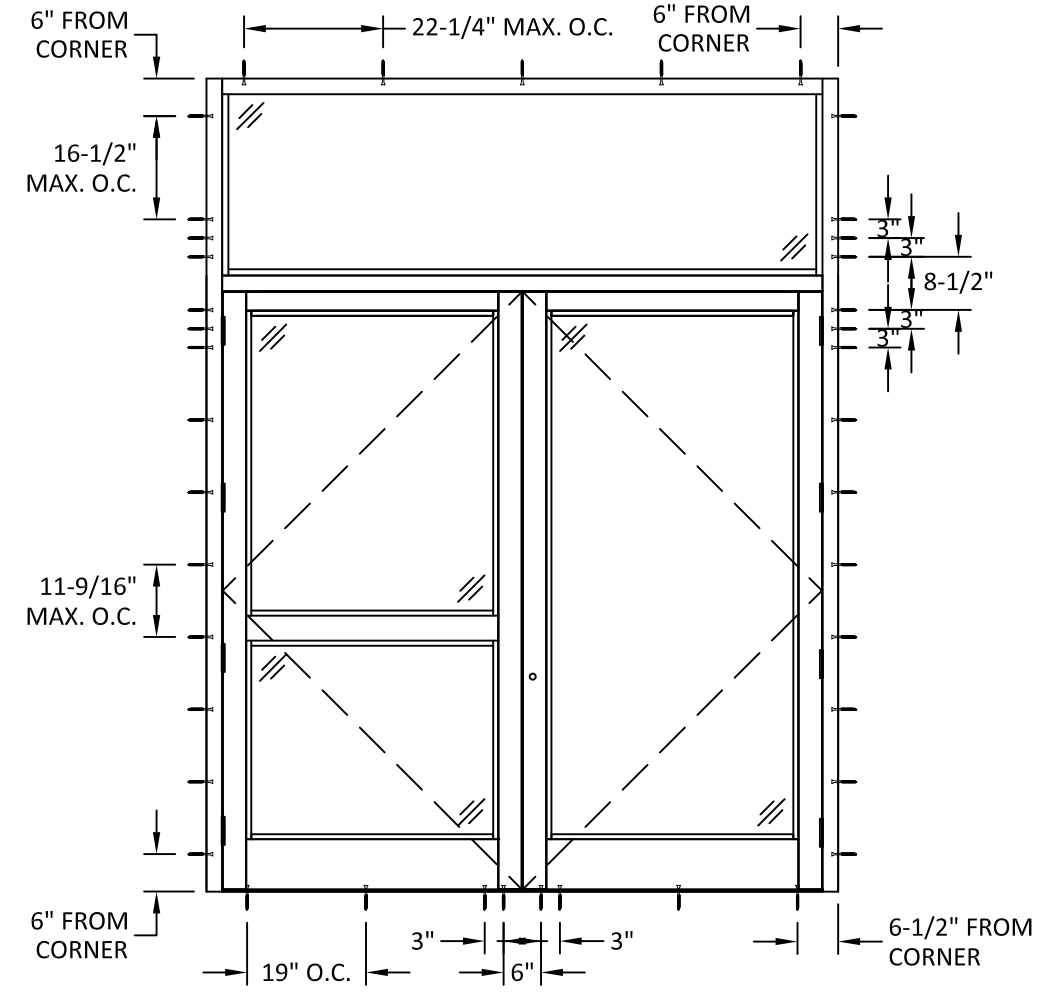


ANCHOR LAYOUT
 DP110, 5/16" ANCHOR, WOOD SUBSTRATE

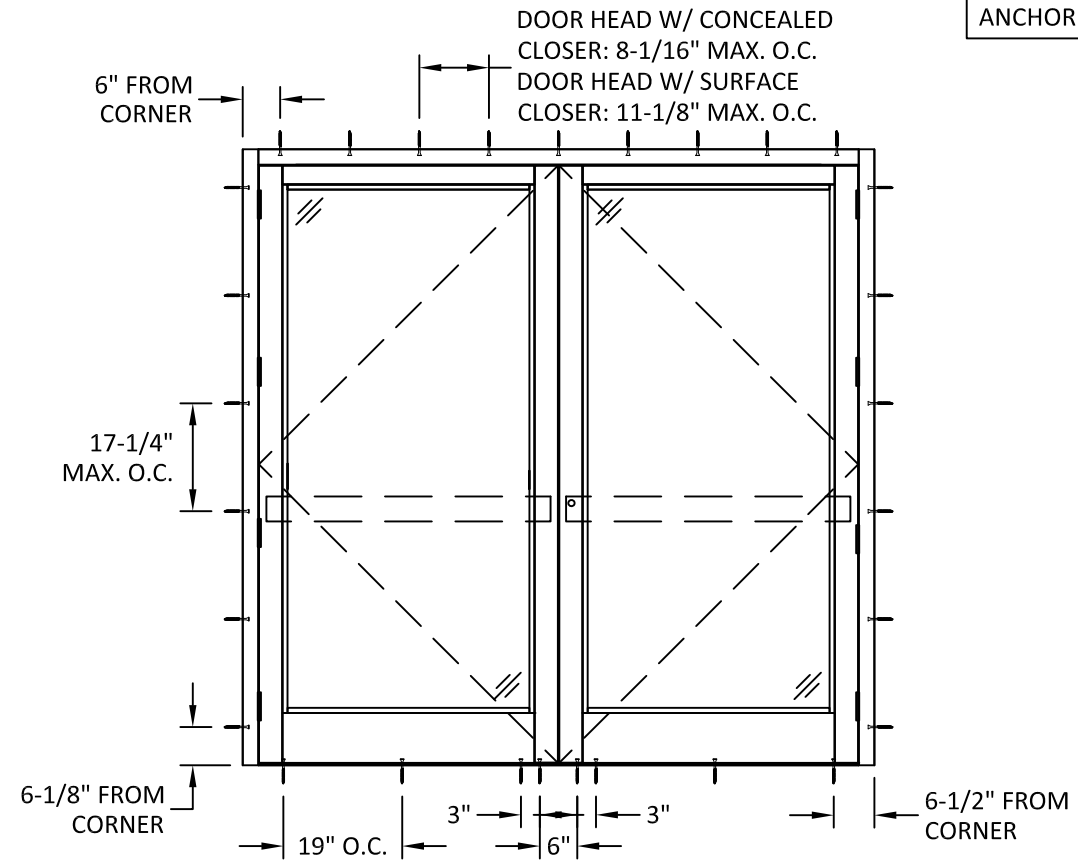
c:\users\msun\building drops, inc\building drops, inc\building envelope\oldcastle building envelope\bc-24-0633 - fbc submittal - f46731 rugged stormmax entrance doors (missile level e)\dwg\labe012.dwg 6/18/2024 5:05 PM



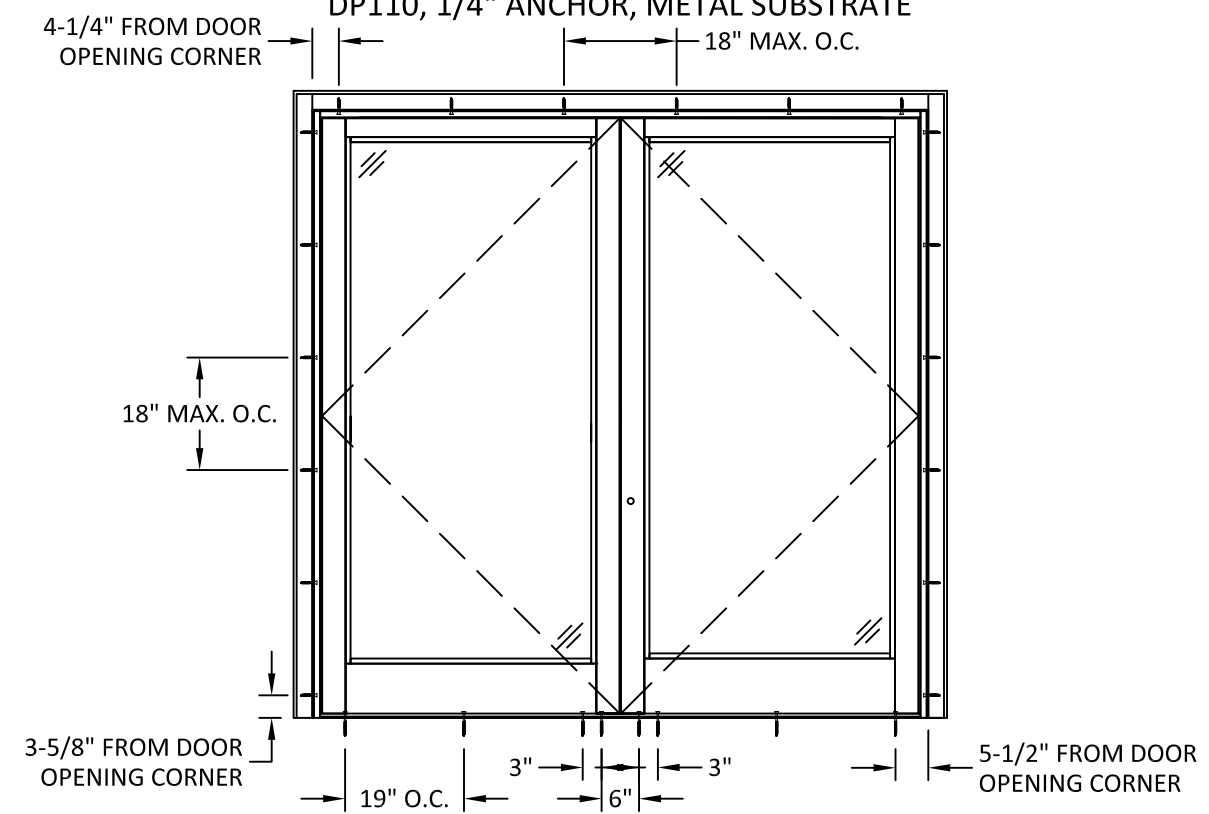
ANCHOR LAYOUT
DP110, 1/4" ANCHOR, METAL SUBSTRATE



ANCHOR LAYOUT
DP110, 1/4" ANCHOR, METAL SUBSTRATE



ANCHOR LAYOUT
DP90, 1/4" ANCHOR, METAL SUBSTRATE



ANCHOR LAYOUT
DP110, 1/4" ANCHOR, W/ CURTAIN WALL FRAME

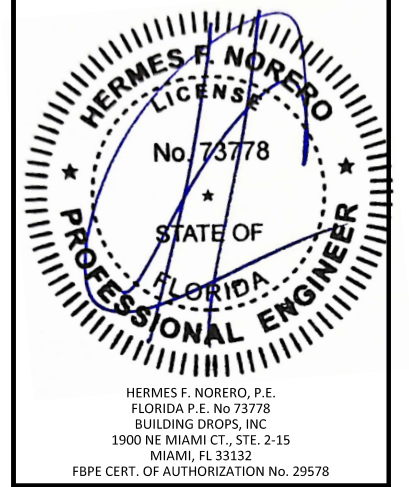
SEE SHEET 20 FOR 1/4" ANCHOR SPECIFICATIONS.



OLDCASTLE BUILDINGENVELOPE®
8655 ELM FAIR BLVD.
TAMPA, FL 33610
PH: (972) 551-6100

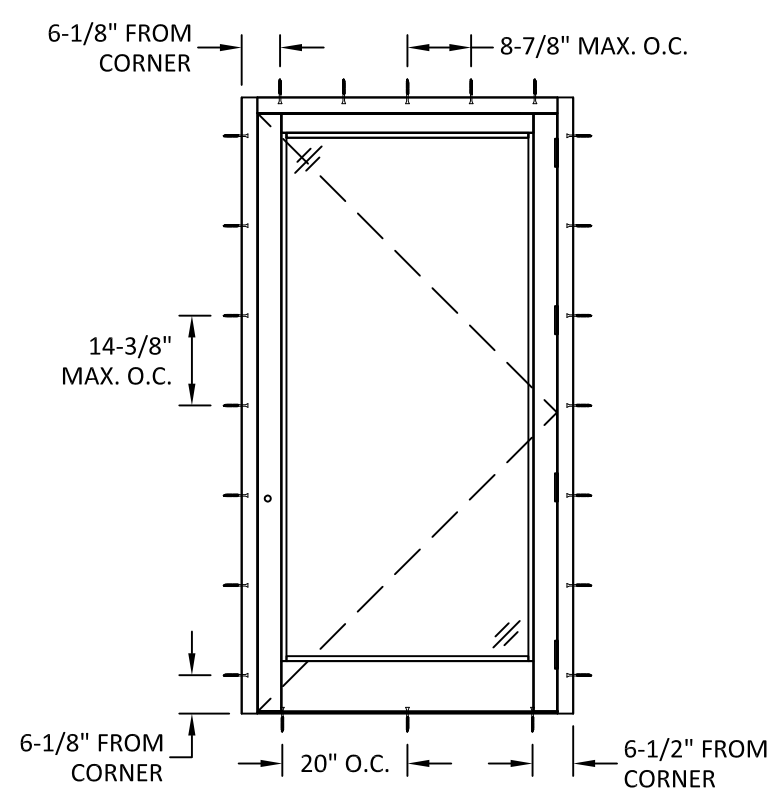
TITLE: RUGGED STORMMAX ENTRANCE DOOR (HVHZ) (MISSILE LEVEL E IMPACT RATED) ANCHOR LAYOUTS (METAL SUBSTRATE)	PREPARED BY: BUILDING DROPS, INC. 1900 NE MIAMI CT., STE. 2-15 MIAMI, FL 33132 PH: (954) 399-8478 FAX: (954) 744-4738 WEB: www.buildingdrops.com	
	REMARKS	DATE
MISC. REVISION	MS	6/18/2024

THE INSTALLATION DETAILS DESCRIBED HEREIN ARE GENERIC AND MAY NOT REFLECT ACTUAL CONDITIONS FOR A SPECIFIC SITE. IF SITE CONDITIONS CAUSE INSTALLATION TO DEVIATE FROM THE REQUIREMENTS DETAILED HEREIN, A LICENSED ENGINEER OR ARCHITECT SHALL PREPARE SITE SPECIFIC DOCUMENTS FOR USE WITH THIS DOCUMENT.

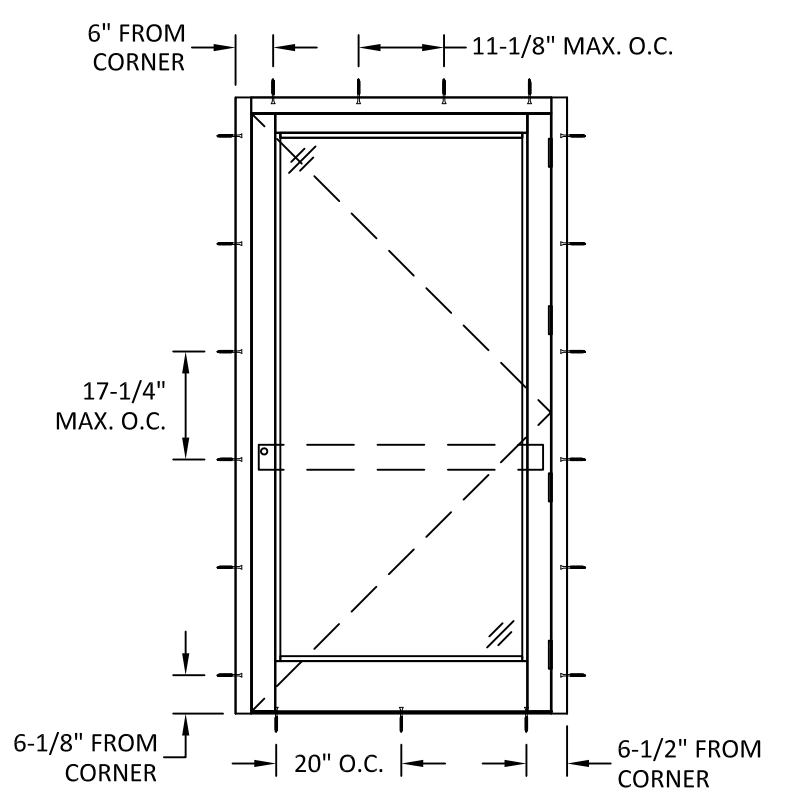


FL #:	FL46731
DATE:	04.11.2024
DWG. BY:	MS
CHK. BY:	HFN
SCALE:	NTS
DWG. #:	OBE012
SHEET:	9

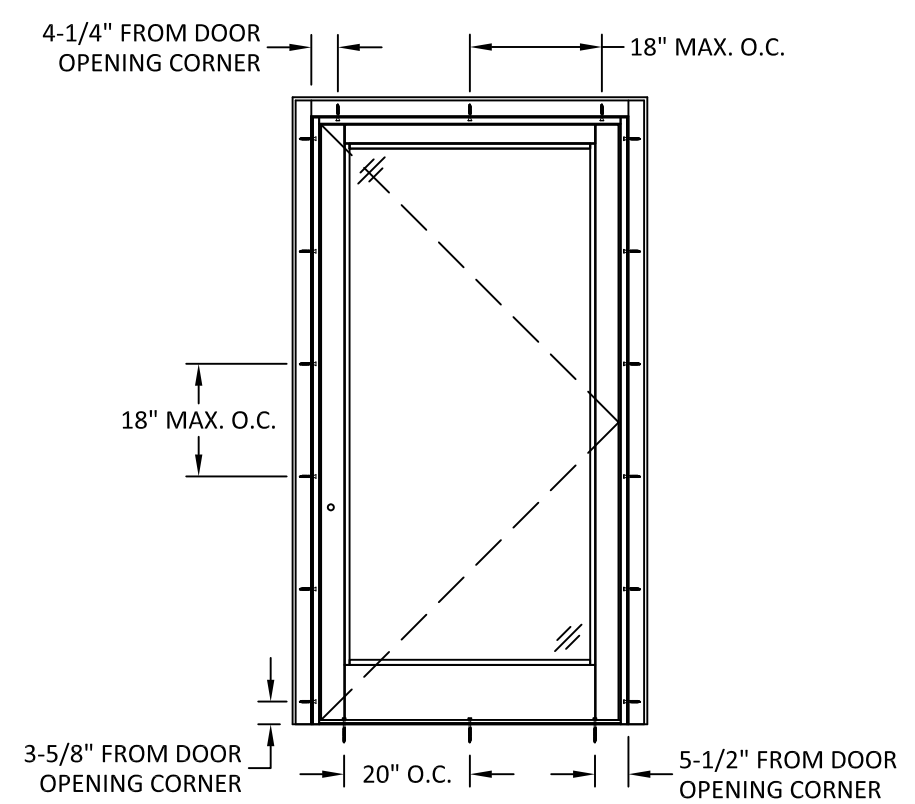
c:\users\msun\building_drops, inc\building_drops, inc\projects\oldcastle_building_envelope\bc-24-0633 - fbc_submittal - f46731_rugged_stormmax_entrance_doors (missile level) (dwg) (vba) 012.dwg 6/18/2024 5:05 PM



ANCHOR LAYOUT
DP110, 1/4" ANCHOR, METAL SUBSTRATE

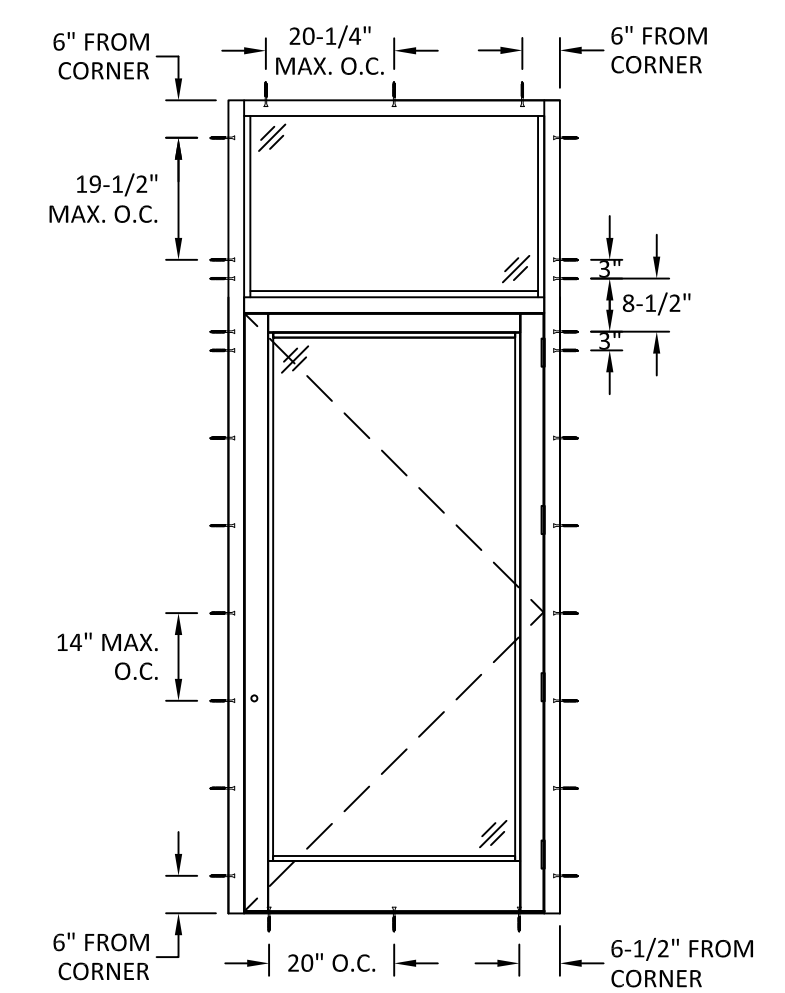


ANCHOR LAYOUT
DP90, 1/4" ANCHOR, METAL SUBSTRATE



ANCHOR LAYOUT
DP90, 1/4" ANCHOR, METAL SUBSTRATE

SEE SHEET 20 FOR 1/4" ANCHOR SPECIFICATIONS.



ANCHOR LAYOUT
DP110, 1/4" ANCHOR, METAL SUBSTRATE

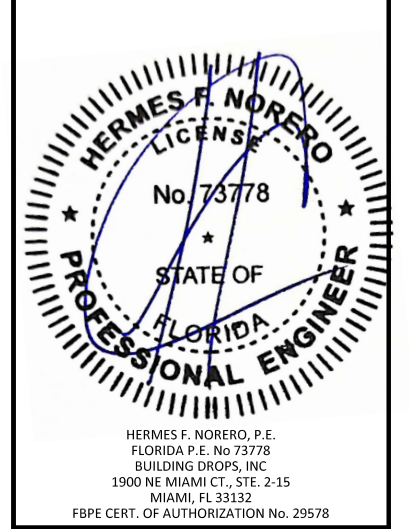


OLDCASTLE BUILDINGENVELOPE®
8655 ELM FAIR BLVD.
TAMPA, FL 33610
PH: (972) 551-6100

TITLE: RUGGED STORMMAX ENTRANCE DOOR (HVHZ) (MISSILE LEVEL E IMPACT RATED)
ANCHOR LAYOUTS (METAL SUBSTRATE)
PREPARED BY: BUILDING DROPS, INC.
1900 NE MIAMI CT., STE. 2-15
MIAMI, FL 33132
PH: (954) 399-8478
FAX: (954) 744-4738
WEB: www.buildingdrops.com

REMARKS	BY	DATE
MISC. REVISION	MS	6/18/2024

THE INSTALLATION DETAILS DESCRIBED HEREIN ARE GENERIC AND MAY NOT REFLECT ACTUAL CONDITIONS FOR A SPECIFIC SITE. IF SITE CONDITIONS CAUSE INSTALLATION TO DEVIATE FROM THE REQUIREMENTS DETAILED HEREIN, A LICENSED ENGINEER OR ARCHITECT SHALL PREPARE SITE SPECIFIC DOCUMENTS FOR USE WITH THIS DOCUMENT.



HERMES F. NORERO, P.E.
FLORIDA P.E. No. 73778
BUILDING DROPS, INC.
1900 NE MIAMI CT., STE. 2-15
MIAMI, FL 33132
FBPE CERT. OF AUTHORIZATION No. 29578

FL #: **FL46731**
DATE: **04.11.2024**
DWG. BY: **MS** CHK. BY: **HFN**
SCALE: **NTS**
DWG. #: **OBE012**
SHEET: **10** OF 23

c:\users\msun\building drops, inc\building drops, inc\projects\oldcastle building envelope\bc-24-0633 - fbc submittal - f146731_rugged stormmax entrance doors (missile level e)\dwg\labe012.dwg 6/18/2024 5:05 PM

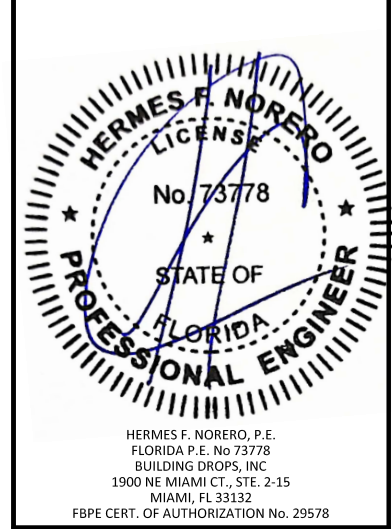


OLDCASTLE BUILDINGENVELOPE®
 8655 ELM FAIR BLVD.
 TAMPA, FL 33610
 PH: (972) 551-6100

TITLE: RUGGED STORMMAX ENTRANCE DOOR (HVHZ) (MISSILE LEVEL E IMPACT RATED)
 ANCHOR LAYOUTS (CONCRETE/MASONRY SUBSTRATE)
 PREPARED BY: BUILDING DROPS, INC.
 1900 NE MIAMI CT., STE. 2-15
 MIAMI, FL 33132
 PH: (954) 399-8478
 FAX: (954) 744-4738
 WEB: www.buildingdrops.com

REMARKS	BY	DATE
MISC. REVISION	MS	6/18/2024

THE INSTALLATION DETAILS DESCRIBED HEREIN ARE GENERIC AND MAY NOT REFLECT ACTUAL CONDITIONS FOR A SPECIFIC SITE. IF SITE CONDITIONS CAUSE INSTALLATION TO DEVIATE FROM THE REQUIREMENTS DETAILED HEREIN, A LICENSED ENGINEER OR ARCHITECT SHALL PREPARE SITE SPECIFIC DOCUMENTS FOR USE WITH THIS DOCUMENT.



FL #: **FL46731**

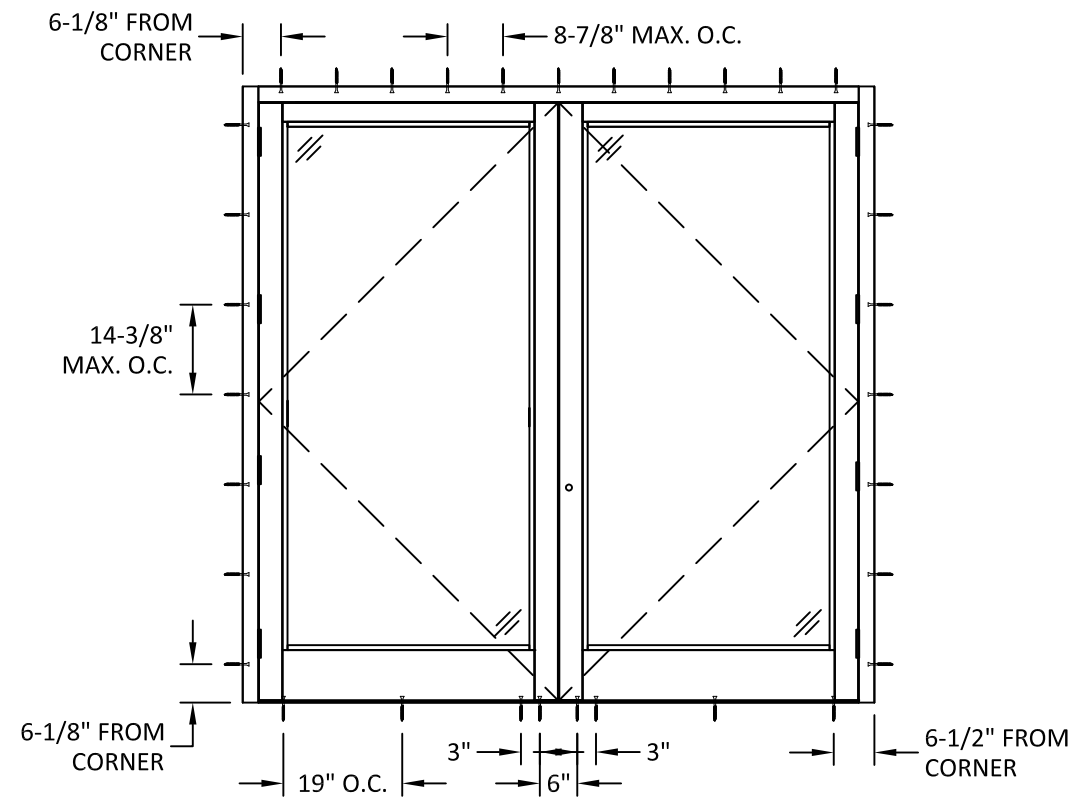
DATE: **04.11.2024**

DWG. BY: **MS** CHK. BY: **HFN**

SCALE: **NTS**

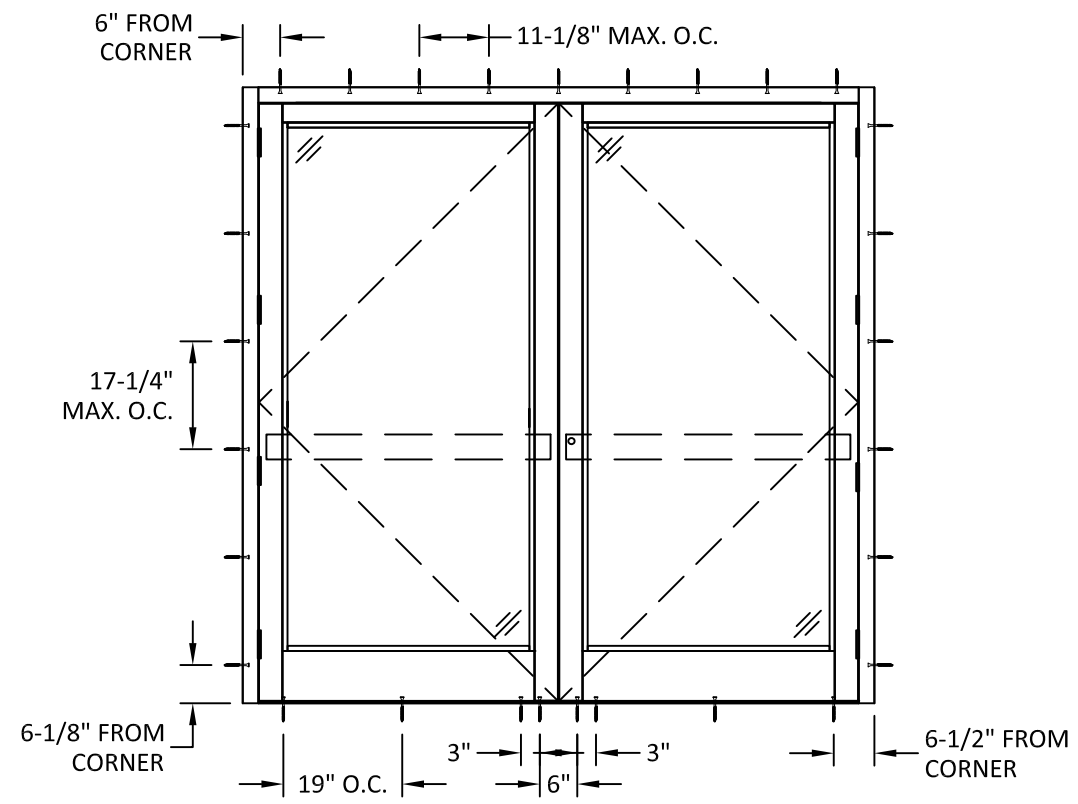
DWG. #: **OBE012**

SHEET: **12** OF 23



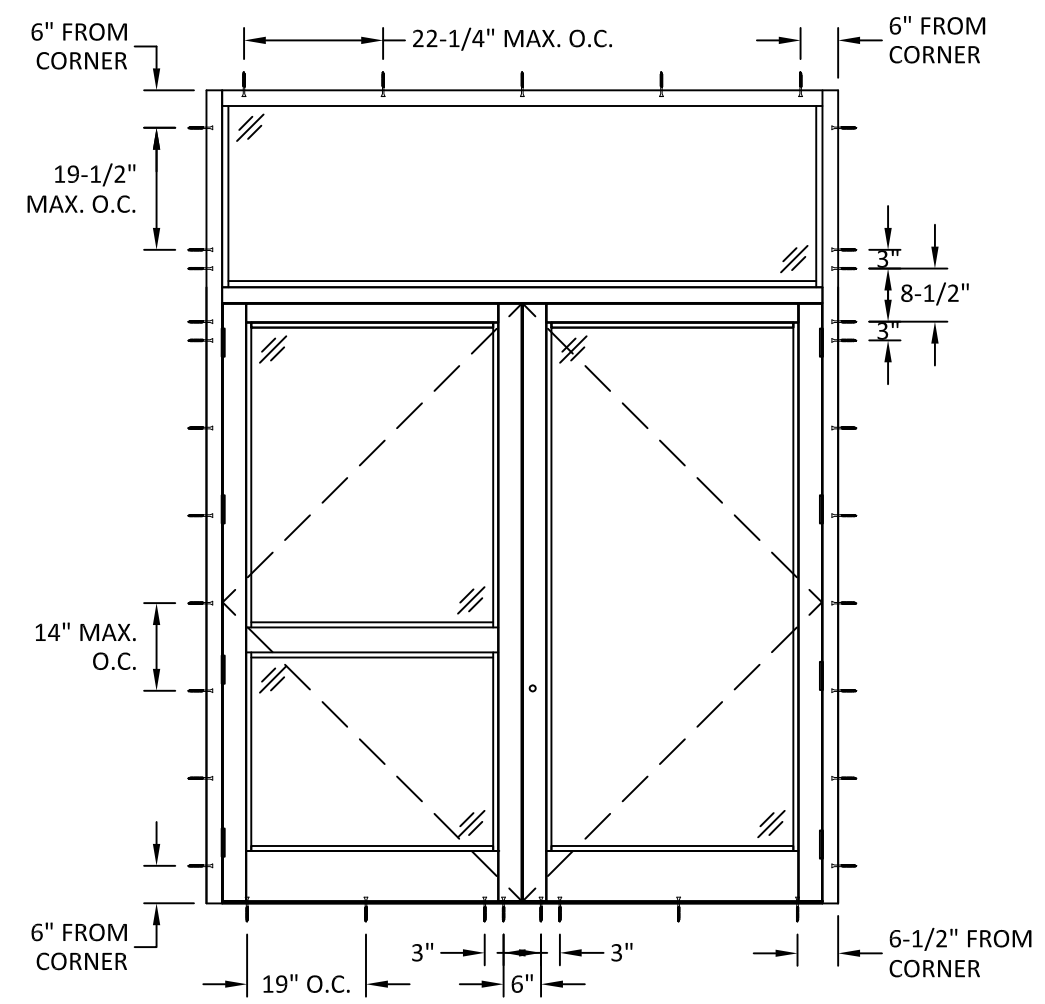
ANCHOR LAYOUT

DP110, 1/4" ANCHOR, CONCRETE/MASONRY SUBSTRATE



ANCHOR LAYOUT

DP90, 1/4" ANCHOR, CONCRETE/MASONRY SUBSTRATE



ANCHOR LAYOUT

DP110, 1/4" ANCHOR, CONCRETE/MASONRY SUBSTRATE

SEE SHEET 20 FOR 1/4" ANCHOR SPECIFICATIONS.

c:\users\msun\building_drops, inc\building_drops, inc\projects\oldcastle_building_envelope\bc-24-0633 - fbc submittal - f146731_rugged_stormmax_entrance_doors (missile level e)\dwg\012.dwg 6/18/2024 5:05 PM

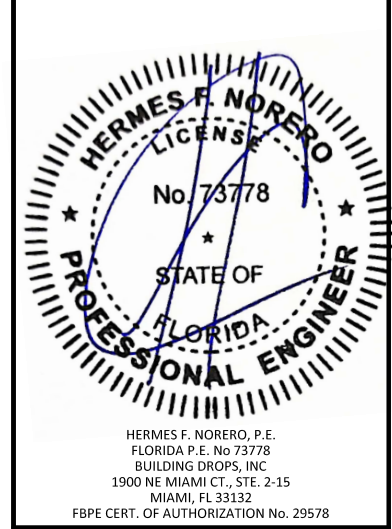


OLDCASTLE BUILDINGENVELOPE®
 8655 ELM FAIR BLVD.
 TAMPA, FL 33610
 PH: (972) 551-6100

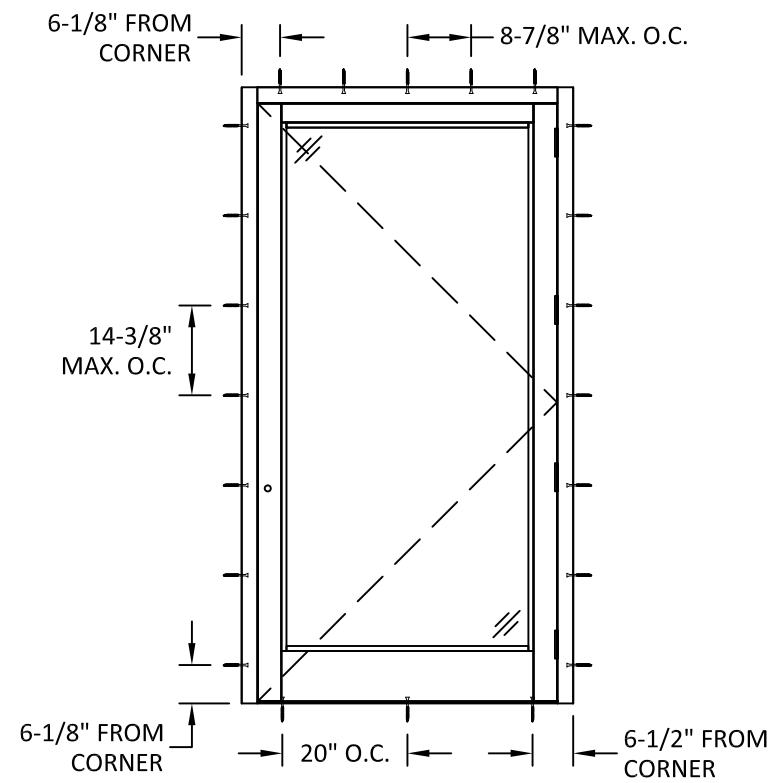
TITLE: RUGGED STORMMAX ENTRANCE DOOR (HVHZ) (MISSILE LEVEL E IMPACT RATED)
 ANCHOR LAYOUTS (CONCRETE/MASONRY SUBSTRATE)
 PREPARED BY: BUILDING DROPS, INC.
 1900 NE MIAMI CT., STE. 2-15
 MIAMI, FL 33132
 PH: (954) 399-8478
 FAX: (954) 744-4738
 WEB: www.buildingdrops.com

REMARKS	BY	DATE
MISC. REVISION	MS	6/18/2024

THE INSTALLATION DETAILS DESCRIBED HEREIN ARE GENERIC AND MAY NOT REFLECT ACTUAL CONDITIONS FOR A SPECIFIC SITE. IF SITE CONDITIONS CAUSE INSTALLATION TO DEVIATE FROM THE REQUIREMENTS DETAILED HEREIN, A LICENSED ENGINEER OR ARCHITECT SHALL PREPARE SITE SPECIFIC DOCUMENTS FOR USE WITH THIS DOCUMENT.

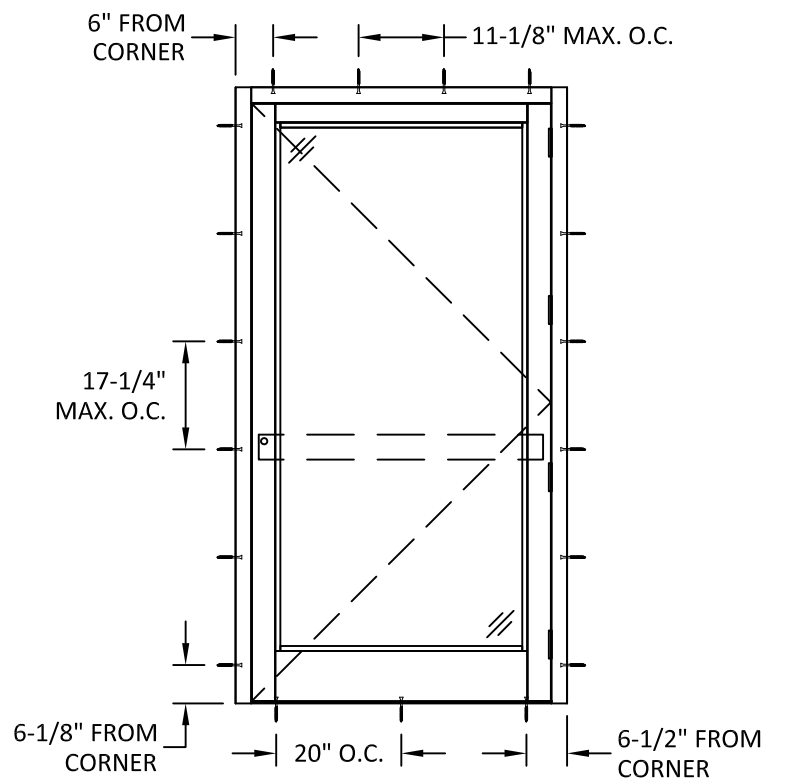


FL #: **FL46731**
 DATE: **04.11.2024**
 DWG. BY: **MS** CHK. BY: **HFN**
 SCALE: **NTS**
 DWG. #: **OBE012**
 SHEET: **13** OF 23



ANCHOR LAYOUT

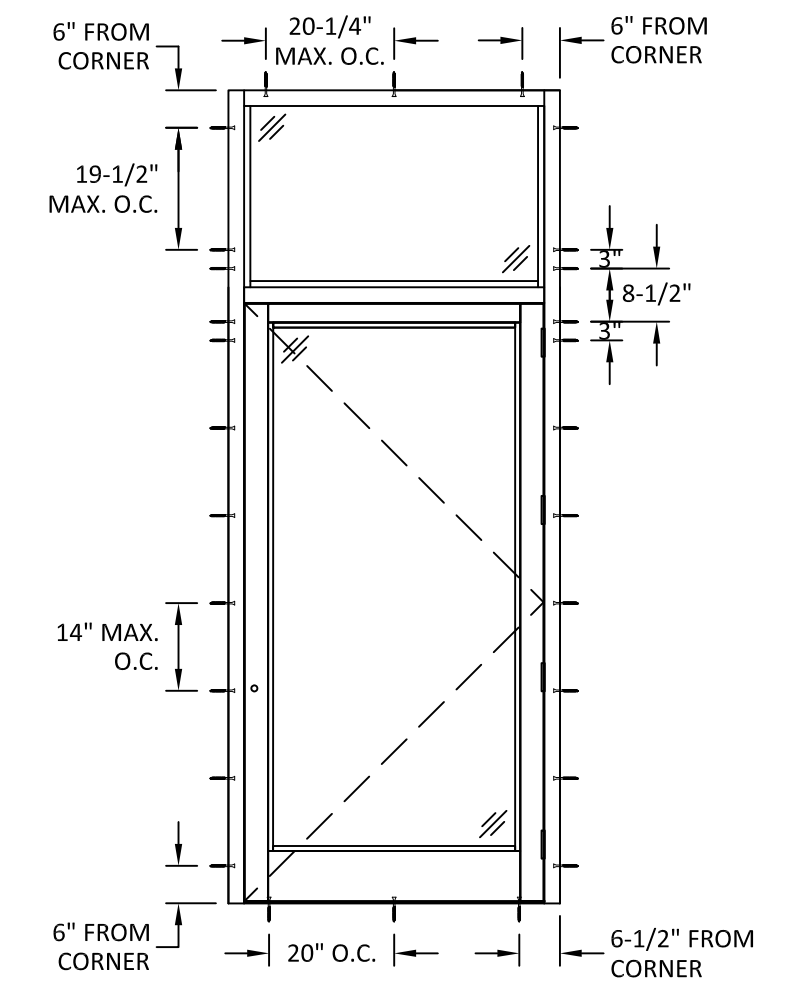
DP110, 1/4" ANCHOR, CONCRETE/MASONRY SUBSTRATE



ANCHOR LAYOUT

DP90, 1/4" ANCHOR, CONCRETE/MASONRY SUBSTRATE

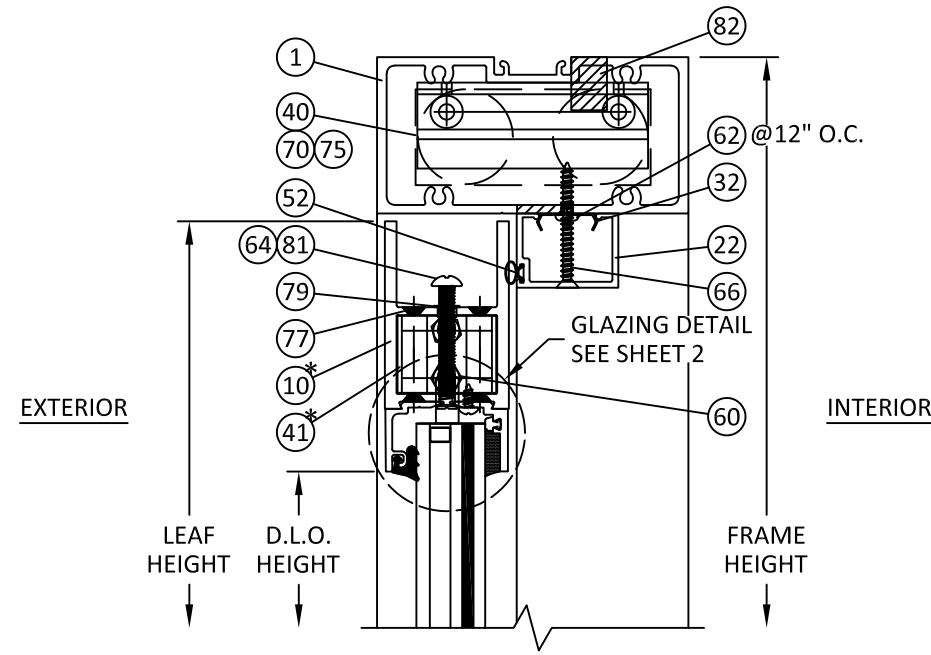
SEE SHEET 20 FOR 1/4" ANCHOR SPECIFICATIONS.



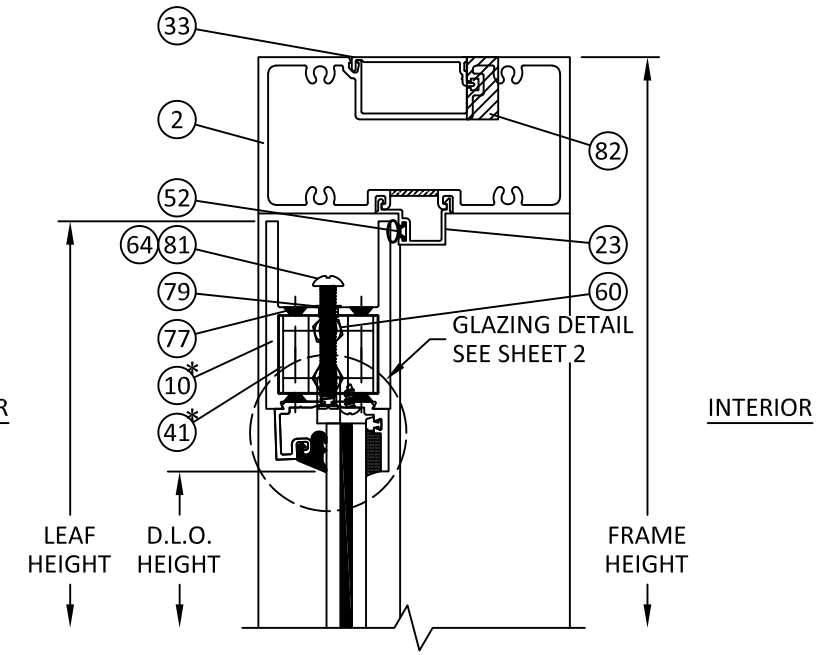
ANCHOR LAYOUT

DP110, 1/4" ANCHOR, CONCRETE/MASONRY SUBSTRATE

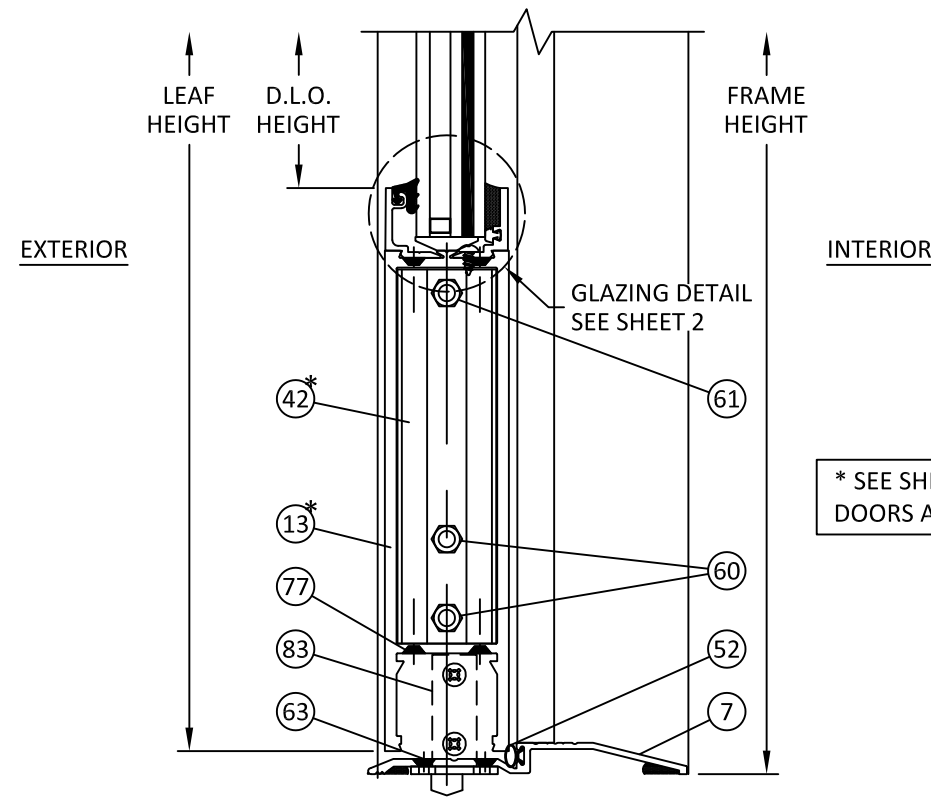
c:\users\msun\building_drops, inc\building_drops, inc\projects\oldcastle_building_envelope\bc-24-0633 - bc_submittal - 146731_rugged_stormmax_entrance_doors (missile level e)\dwg\labe012.dwg 6/18/2024 5:05 PM



A
14 VERTICAL SECTION
DOOR HEAD
CONCEALED CLOSER

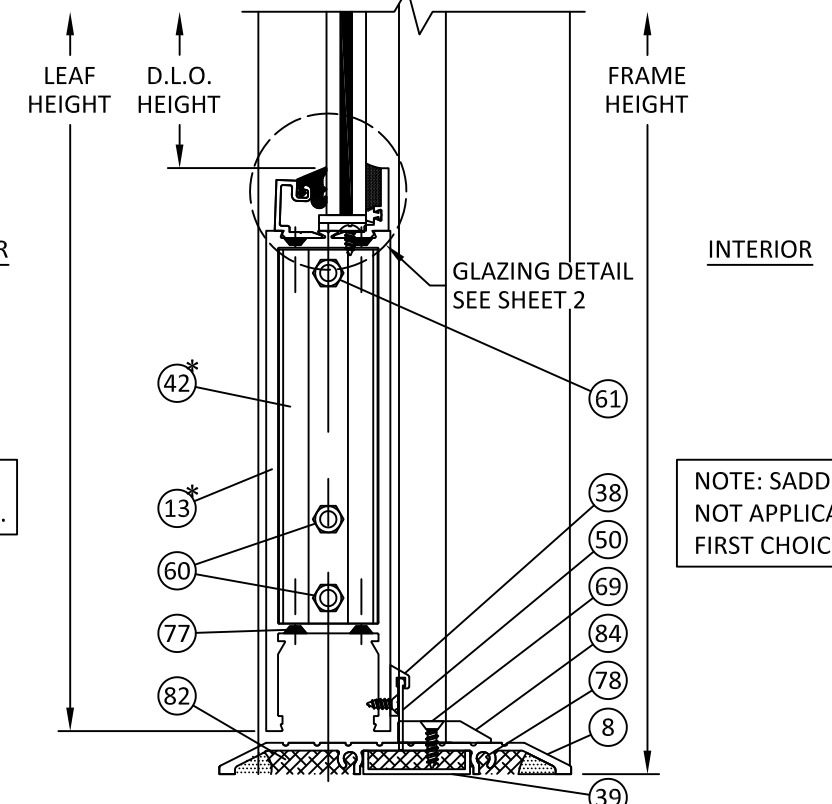


C
14 VERTICAL SECTION
DOOR HEAD
SURFACE CLOSER



B
14 VERTICAL SECTION
DOOR SILL
BUMPER THRESHOLD

* SEE SHEET 16 FOR ALTERNATE PROFILES,
DOORS ARE WELDED AT THE CORNER BLOCKS.



D
14 VERTICAL SECTION
DOOR SILL
SADDLE THRESHOLD

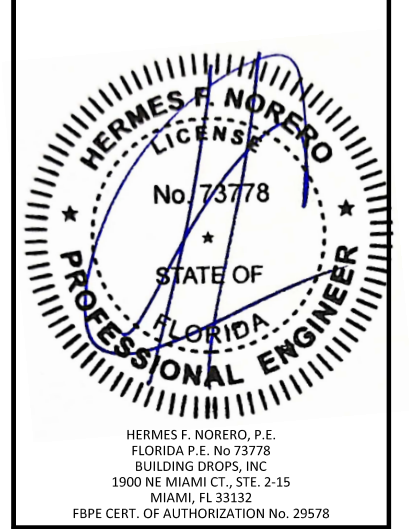


OLDCASTLE BUILDINGENVELOPE®
8655 ELM FAIR BLVD.
TAMPA, FL 33610
PH: (972) 551-6100

TITLE: RUGGED STORMMAX ENTRANCE DOOR (HVHZ) (MISSILE LEVEL E IMPACT RATED)
VERTICAL SECTIONS
PREPARED BY: BUILDING DROPS, INC.
1900 NE MIAMI CT., STE. 2-15
MIAMI, FL 33132
PH: (954) 399-8478
FAX: (954) 744-4738
WEB: www.buildingdrops.com

REMARKS	BY	DATE
MISC. REVISION	MS	6/18/2024

THE INSTALLATION DETAILS DESCRIBED HEREIN ARE GENERIC AND MAY NOT REFLECT ACTUAL CONDITIONS FOR A SPECIFIC SITE. IF SITE CONDITIONS CAUSE INSTALLATION TO DEVIATE FROM THE REQUIREMENTS DETAILED HEREIN, A LICENSED ENGINEER OR ARCHITECT SHALL PREPARE SITE SPECIFIC DOCUMENTS FOR USE WITH THIS DOCUMENT.



FL #: **FL46731**
DATE: **04.11.2024**
DWG. BY: **MS** CHK. BY: **HFN**
SCALE: **NTS**
DWG. #: **OBE012**

SHEET: **14**
OF 23

c:\users\msun\building_drops, inc\building_drops, inc\building_envelope\lbc-24-0633 - fbc_submittal - f46731_rugged_stormmax_entrance_doors (missile level e) (dwg) lobe012.dwg 6/18/2024 5:05 PM

TITLE: RUGGED STORMMAX ENTRANCE DOOR (HVHZ) (MISSILE LEVEL E IMPACT RATED)

VERTICAL SECTIONS

PREPARED BY: BUILDING DROPS, INC.
1900 NE MIAMI CT., STE. 2-15
MIAMI, FL 33132
PH: (954) 399-8278
FAX: (954) 744-4738
WEB: www.buildingdrops.com

REMARKS	BY	DATE
MISC. REVISION	MS	6/18/2024

THE INSTALLATION DETAILS DESCRIBED HEREIN ARE GENERIC AND MAY NOT REFLECT ACTUAL CONDITIONS FOR A SPECIFIC SITE. IF SITE CONDITIONS CAUSE INSTALLATION TO DEVIATE FROM THE REQUIREMENTS DETAILED HEREIN, A LICENSED ENGINEER OR ARCHITECT SHALL PREPARE SITE SPECIFIC DOCUMENTS FOR USE WITH THIS DOCUMENT.

HERMES F. NORERO, P.E.
FLORIDA P.E. No. 73778
BUILDING DROPS, INC.
1900 NE MIAMI CT., STE. 2-15
MIAMI, FL 33132
FBPE CERT. OF AUTHORIZATION No. 29578

FL #: FL46731

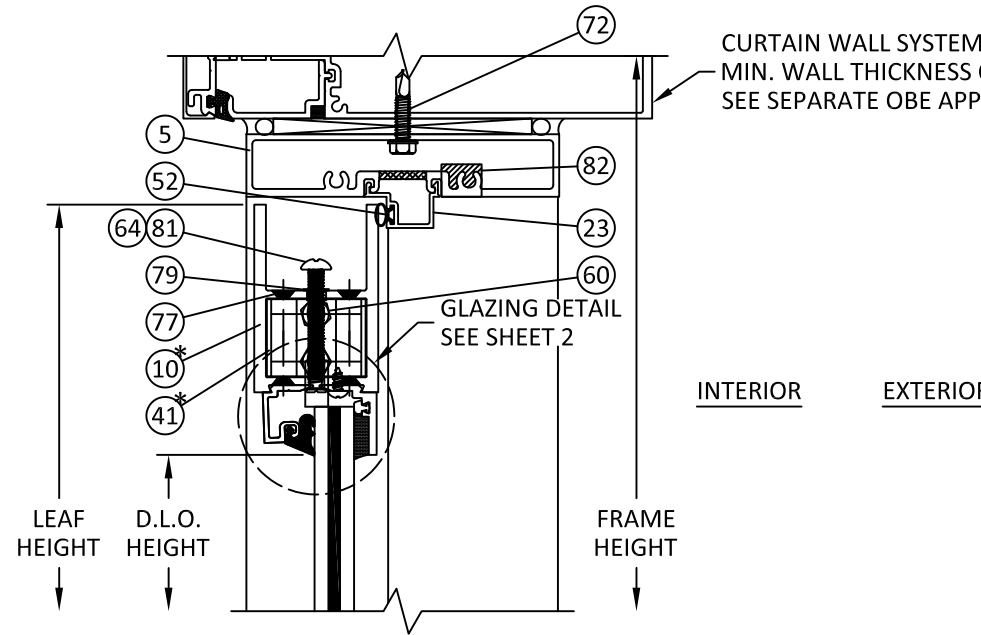
DATE: 04.11.2024

DWG. BY: MS **CHK. BY:** HFN

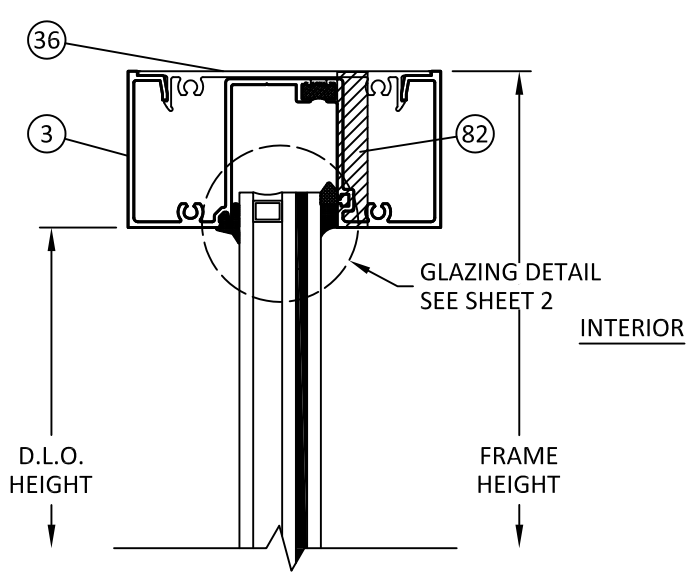
SCALE: NTS

DWG. #: OBE012

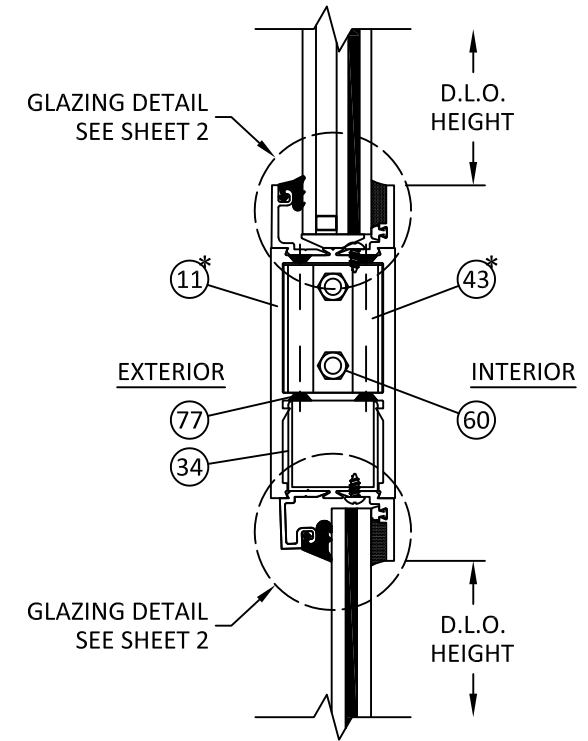
SHEET: 15 OF 23



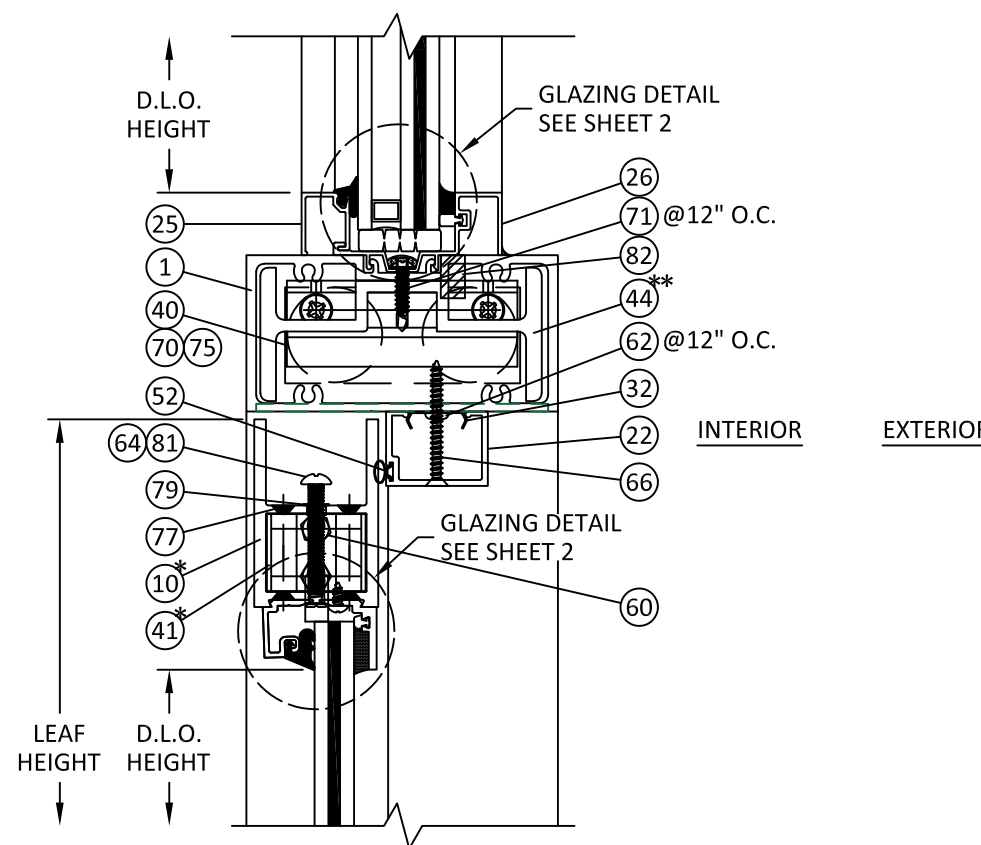
E
15 VERTICAL SECTION
DOOR HEAD
CURTAIN WALL SUBFRAME



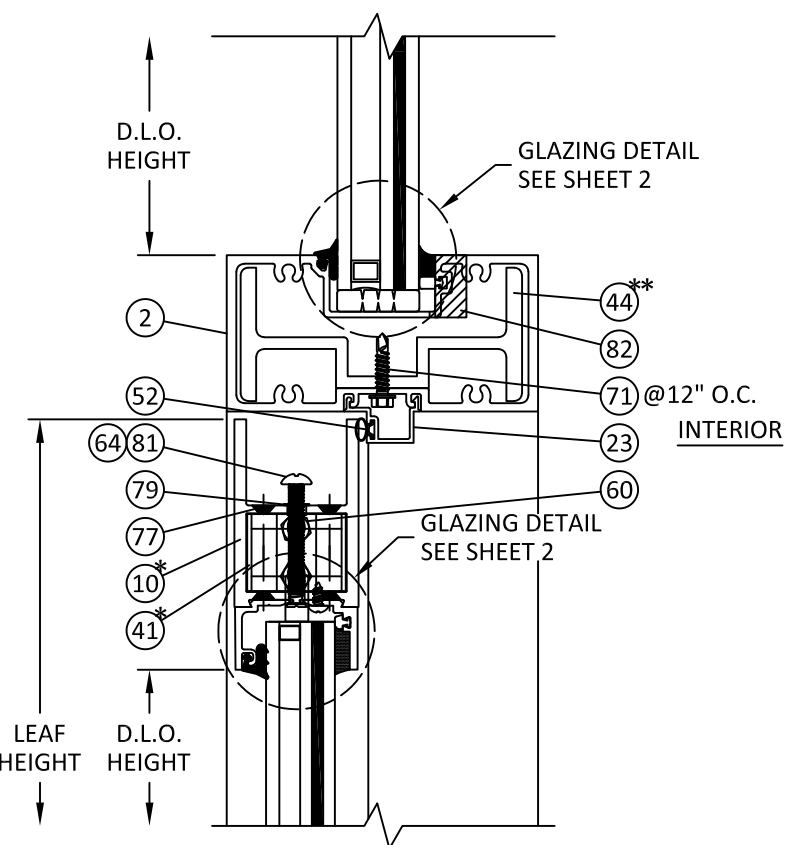
G
15 VERTICAL SECTION
TRANSOM HEAD



I
15 VERTICAL SECTION
MID-RAIL



F
15 VERTICAL SECTION
DOOR HEAD W/ TRANSOM
CONCEALED CLOSER



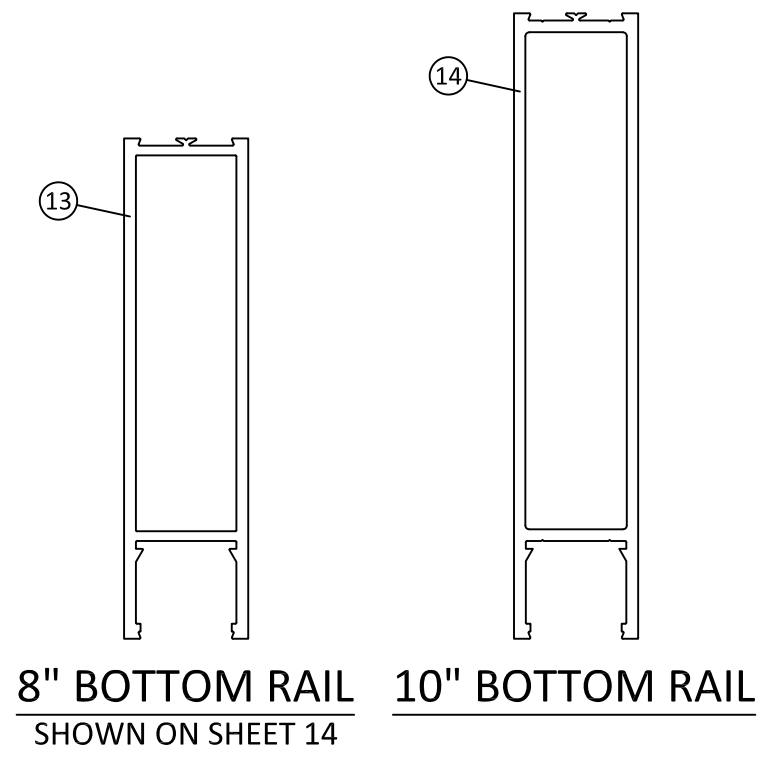
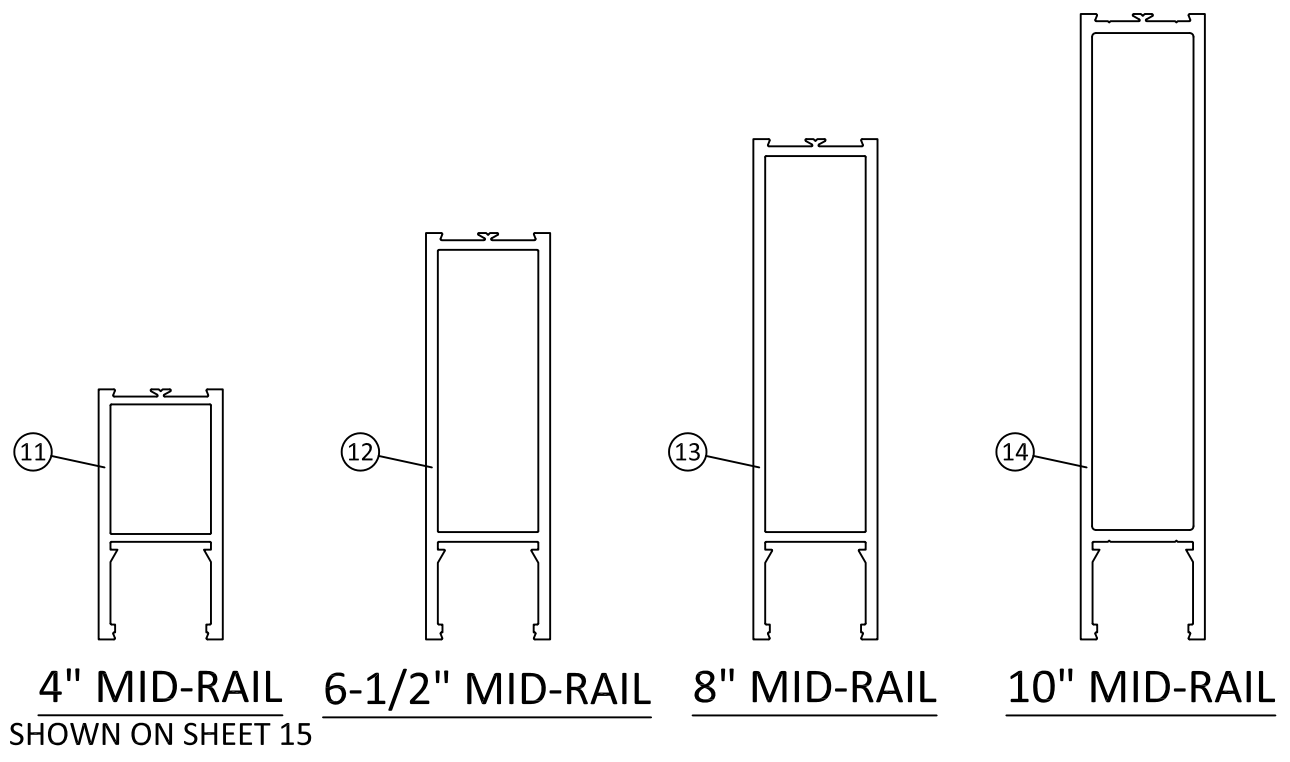
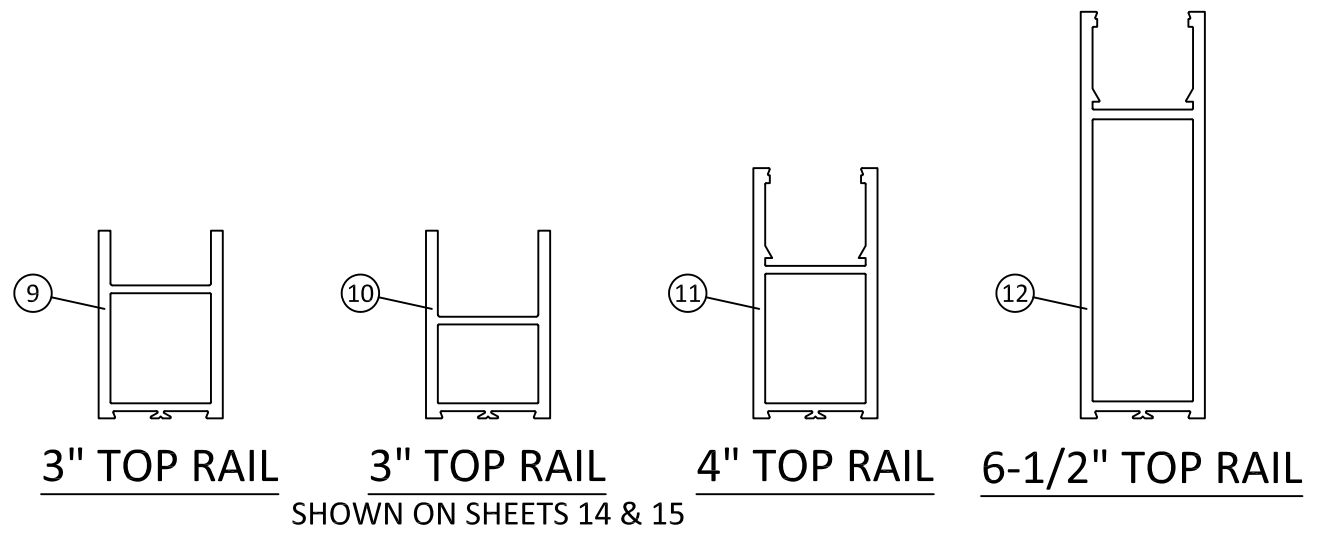
H
15 VERTICAL SECTION
DOOR HEAD W/ TRANSOM
SURFACE CLOSER

* SEE SHEET 16 FOR ALTERNATE PROFILES, DOORS ARE WELDED AT THE CORNER BLOCKS.
** FOR SECTIONS F/15 & H/15, THE REINFORCEMENT #44 IS NOT REQUIRED FOR SINGLE DOORS. AN ALTERNATE DESIGN PRESSURE MAY BE USED FOR DOUBLE DOORS WHEN USE WITHOUT REINFORCEMENT #44. SEE TABLE BELOW FOR ALTERNATE DESIGN PRESSURES.

SECTION	REINFORCEMENT	DESIGN PRESSURE
F/15	WITHOUT REINFORCEMENT	+/- 100 PSF
H/15	WITHOUT REINFORCEMENT	+110/-90 PSF

c:\users\msun\building_drops, inc\building_drops, inc\projects\oldcastle_building_envelope\bc-24-0633 - bc submittal - 146731_rugged_stormmax_entrance_doors (missile level e)\dwg\labe012.dwg 6/18/2024 5:05 PM

DOOR RAIL OPTIONS



OLDCASTLE BUILDINGENVELOPE®
8655 ELM FAIR BLVD.
TAMPA, FL 33610
PH: (972) 551-6100

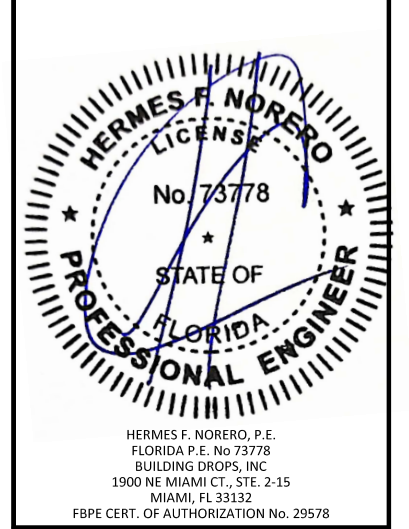
TITLE: RUGGED STORMMAX ENTRANCE DOOR (HVHZ) (MISSILE LEVEL E IMPACT RATED)

VERTICAL SECTIONS

PREPARED BY: BUILDING DROPS, INC.
1900 NE MIAMI CT., STE. 2-15
MIAMI, FL 33132
PH: (954) 399-8278
FAX: (954) 744-4738
WEB: www.buildingdrops.com

REMARKS	BY	DATE
MISC. REVISION	MS	6/18/2024

THE INSTALLATION DETAILS DESCRIBED HEREIN ARE GENERIC AND MAY NOT REFLECT ACTUAL CONDITIONS FOR A SPECIFIC SITE. IF SITE CONDITIONS CAUSE INSTALLATION TO DEVIATE FROM THE REQUIREMENTS DETAILED HEREIN, A LICENSED ENGINEER OR ARCHITECT SHALL PREPARE SITE SPECIFIC DOCUMENTS FOR USE WITH THIS DOCUMENT.



FL #: **FL46731**

DATE: **04.11.2024**

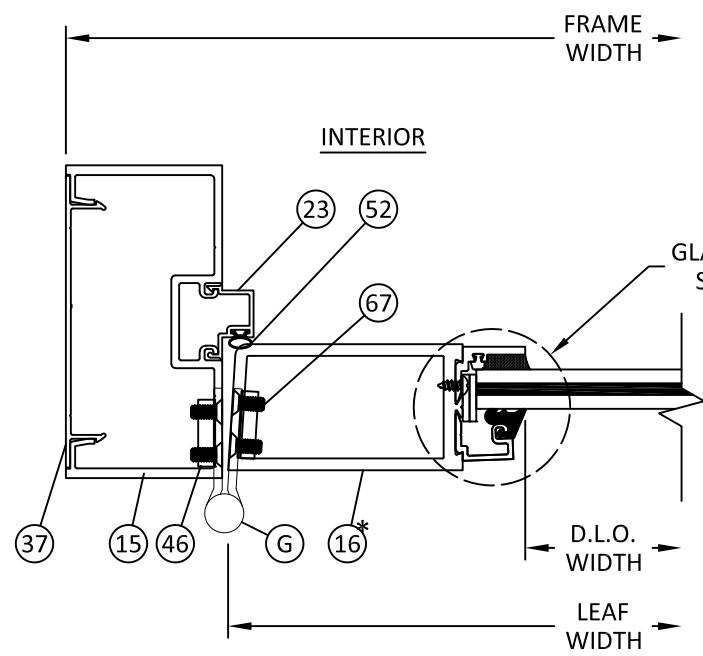
DWG. BY: MS	CHK. BY: HFN
-----------------------	------------------------

SCALE: **NTS**

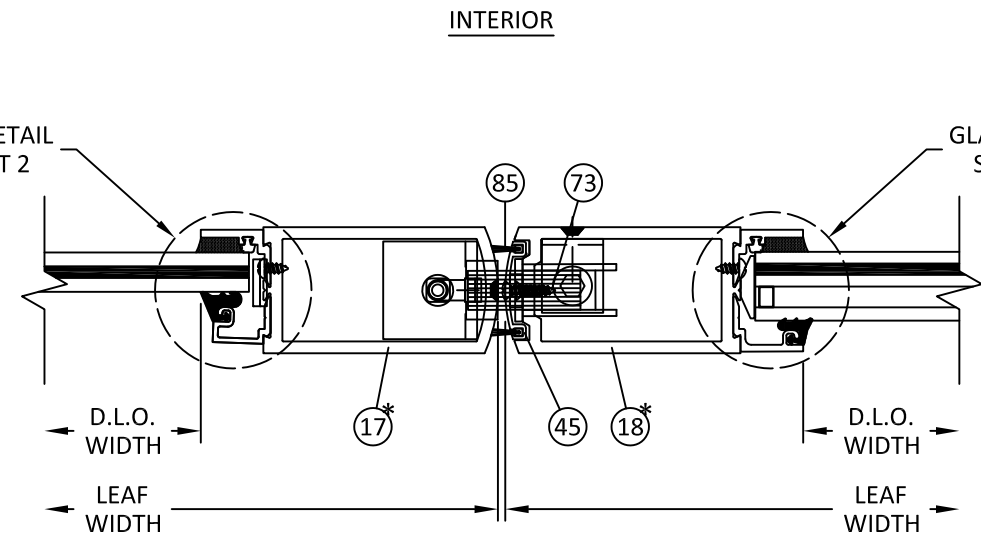
DWG. #: **OBE012**

SHEET: **16**
OF 23

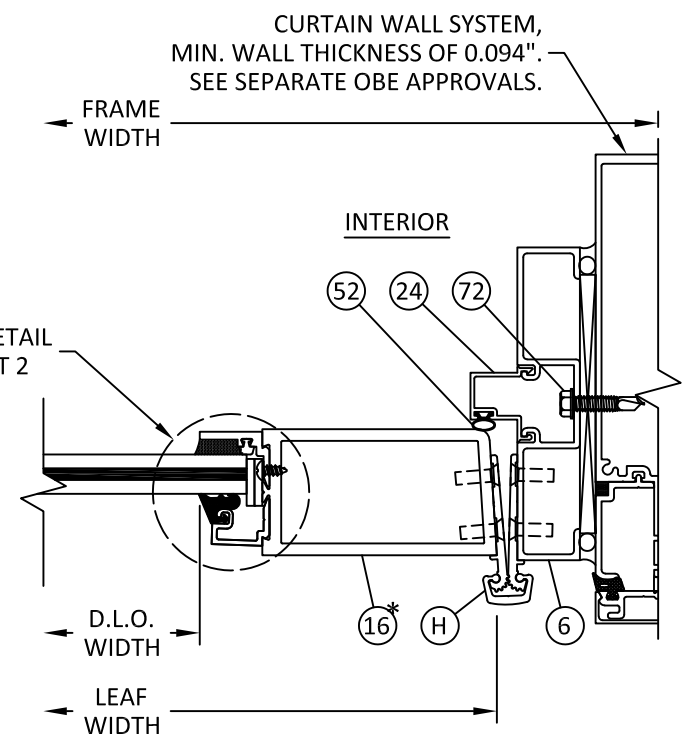
c:\users\msun\building_drops, inc\building_drops, inc\projects\oldcastle_building_envelope\bc-24-0633 - fbc_submittal - f146731_rugged_stormmax_entrance_doors (missile level e) (dwg) (lvs) 012.dwg 6/18/2024 5:05 PM



J
17 HORIZONTAL SECTION
DOOR JAMB
BUTT HINGE

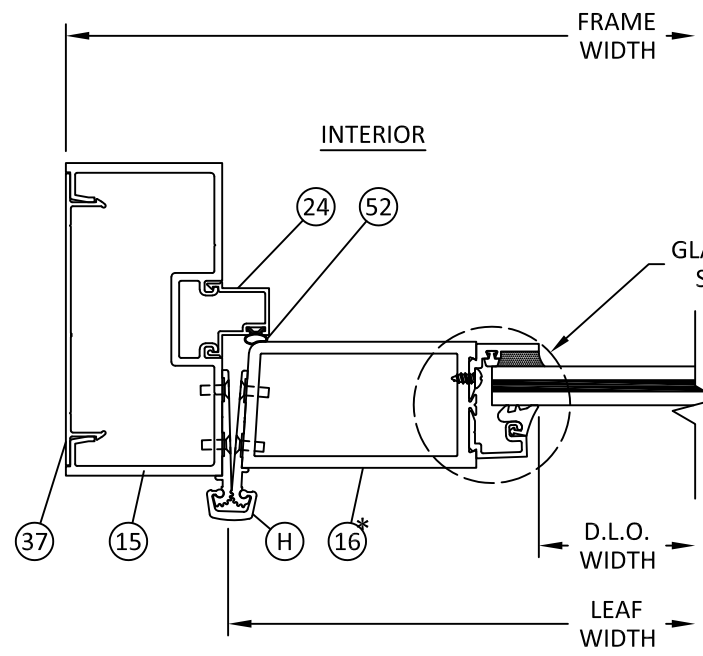


K
17 HORIZONTAL SECTION
MEETING STILES
W/ DEADLOCK

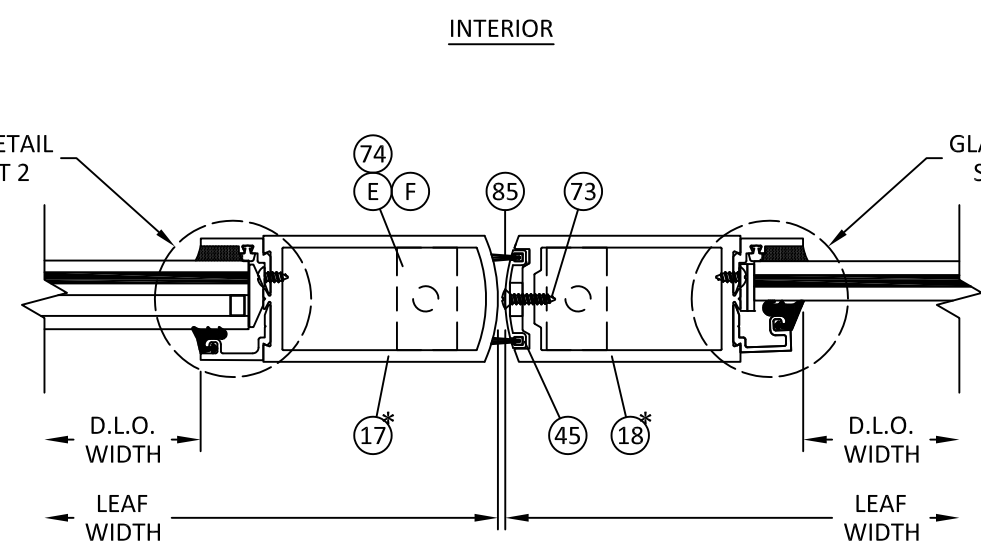


L
17 HORIZONTAL SECTION
DOOR JAMB W/ CURTAIN FRAME
GEAR HINGE

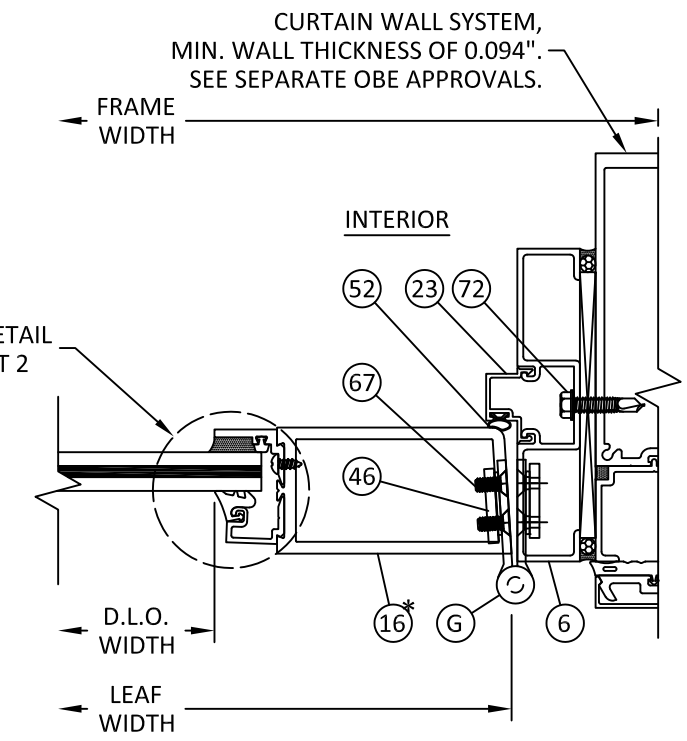
* SEE SHEET 18 FOR ALTERNATE PROFILES.



M
17 HORIZONTAL SECTION
DOOR JAMB
GEAR HINGE



N
17 HORIZONTAL SECTION
MEETING STILES
W/ CVR EXIT DEVICE



O
17 HORIZONTAL SECTION
DOOR JAMB W/ CURTAIN FRAME
BUTT HINGE

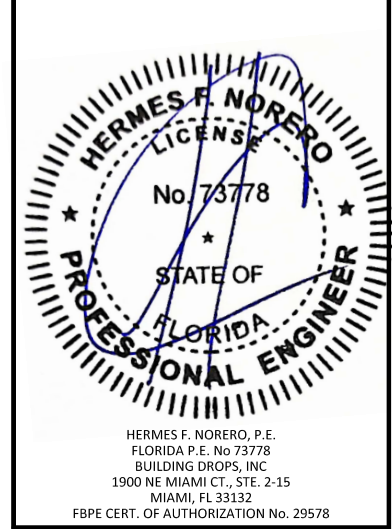


OLDCASTLE BUILDINGENVELOPE®
8655 ELM FAIR BLVD.
TAMPA, FL 33610
PH: (972) 551-6100

TITLE: RUGGED STORMMAX ENTRANCE DOOR (HVHZ) (MISSILE LEVEL E IMPACT RATED)
HORIZONTAL SECTIONS
PREPARED BY: BUILDING DROPS, INC.
1900 NE MIAMI CT., STE. 2-15
MIAMI, FL 33132
PH: (954) 399-8278
FAX: (954) 744-4738
WEB: www.buildingdrops.com

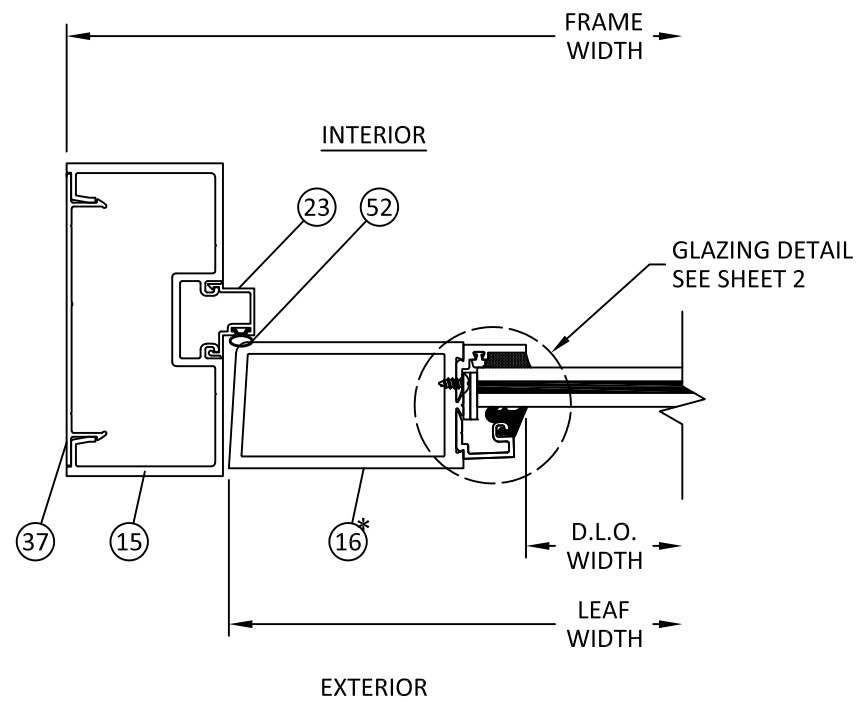
REMARKS	BY	DATE
MISC. REVISION	MS	6/18/2024

THE INSTALLATION DETAILS DESCRIBED HEREIN ARE GENERIC AND MAY NOT REFLECT ACTUAL CONDITIONS FOR A SPECIFIC SITE. IF SITE CONDITIONS CAUSE INSTALLATION TO DEVIATE FROM THE REQUIREMENTS DETAILED HEREIN, A LICENSED ENGINEER OR ARCHITECT SHALL PREPARE SITE SPECIFIC DOCUMENTS FOR USE WITH THIS DOCUMENT.

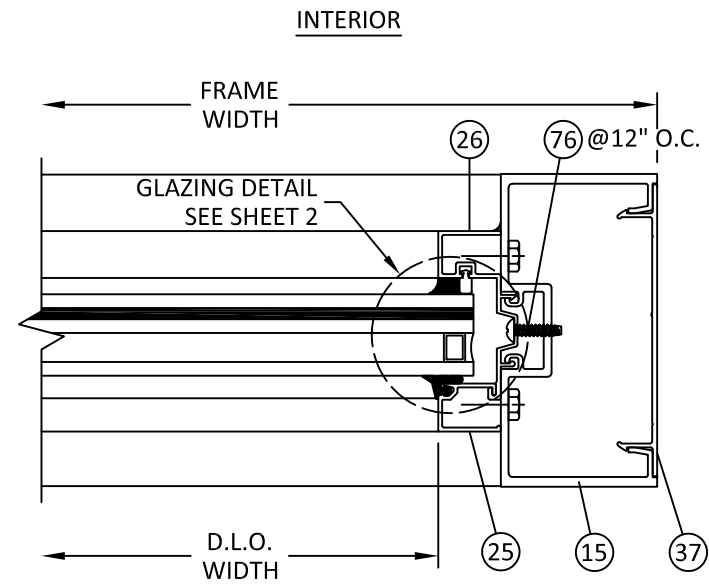


FL #: **FL46731**
DATE: **04.11.2024**
DWG. BY: **MS** | CHK. BY: **HFN**
SCALE: **NTS**
DWG. #: **OBE012**
SHEET:

c:\users\msun\building_drops, inc\building_drops, inc\projects\oldcastle_building_envelope\lbc-24-0633 - fbc_submittal - f146731_rugged_stormmax_entrance_doors (missile level e)\dwg\lbc012.dwg 6/18/2024 5:05 PM



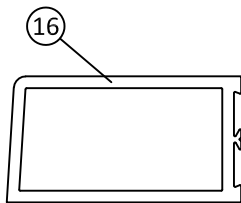
P
18 **HORIZONTAL SECTION**
DOOR LOCK JAMB
W/ DEADLOCK OR CVR EXIT DEVICE



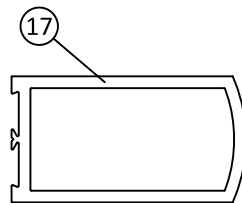
Q
18 **HORIZONTAL SECTION**
TRANSOM JAMB

* SEE SHEET 18 FOR ALTERNATE PROFILES.

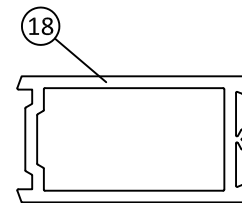
DOOR STILE OPTIONS



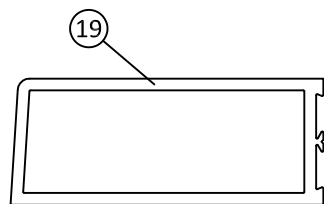
HINGE STILE (MEDIUM)
SHOWN ON SHEETS 17 & 18



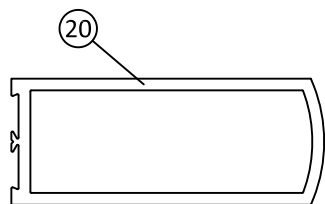
INACTIVE STILE (MEDIUM)
SHOWN ON SHEET 17



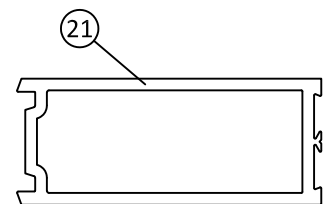
ACTIVE STILE (MEDIUM)
SHOWN ON SHEET 17



HINGE STILE (WIDE)



INACTIVE STILE (WIDE)



ACTIVE STILE (WIDE)

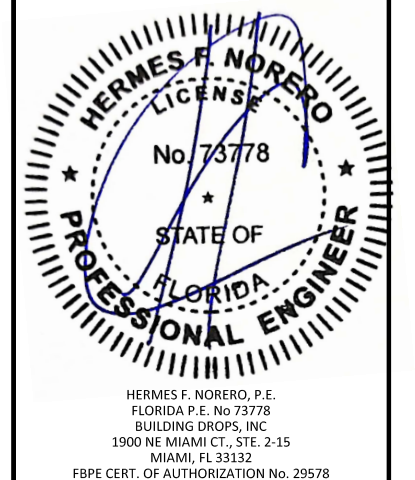


OLDCASTLE BUILDINGENVELOPE®
8655 ELM FAIR BLVD.
TAMPA, FL 33610
PH: (972) 551-6100

TITLE: RUGGED STORMMAX ENTRANCE DOOR (HVHZ) (MISSILE LEVEL E IMPACT RATED)
HORIZONTAL SECTIONS
PREPARED BY: BUILDING DROPS, INC.
1900 NE MIAMI CT., STE. 2-15
MIAMI, FL 33132
PH: (954) 399-8478
FAX: (954) 744-4738
WEB: www.buildingdrops.com

REMARKS	BY	DATE
MISC. REVISION	MS	6/18/2024

THE INSTALLATION DETAILS DESCRIBED HEREIN ARE GENERIC AND MAY NOT REFLECT ACTUAL CONDITIONS FOR A SPECIFIC SITE. IF SITE CONDITIONS CAUSE INSTALLATION TO DEVIATE FROM THE REQUIREMENTS DETAILED HEREIN, A LICENSED ENGINEER OR ARCHITECT SHALL PREPARE SITE SPECIFIC DOCUMENTS FOR USE WITH THIS DOCUMENT.



FL #: **FL46731**

DATE: **04.11.2024**

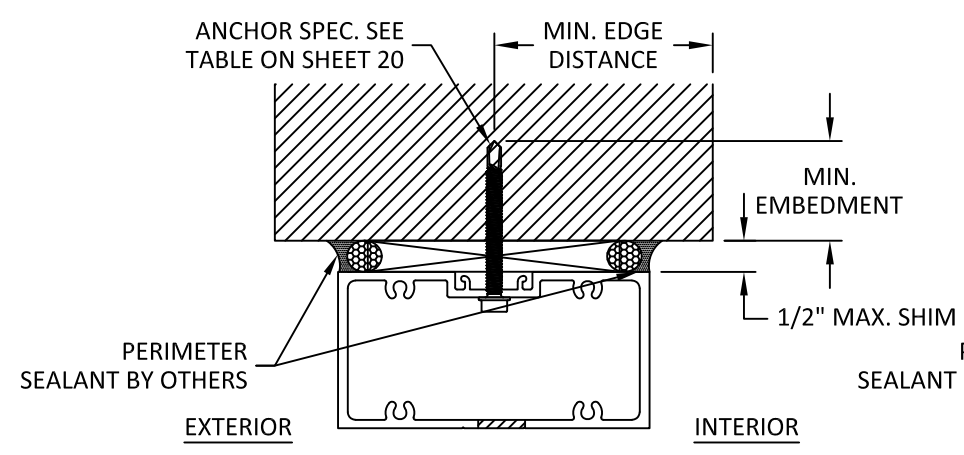
DWG. BY: **MS** CHK. BY: **HFN**

SCALE: **NTS**

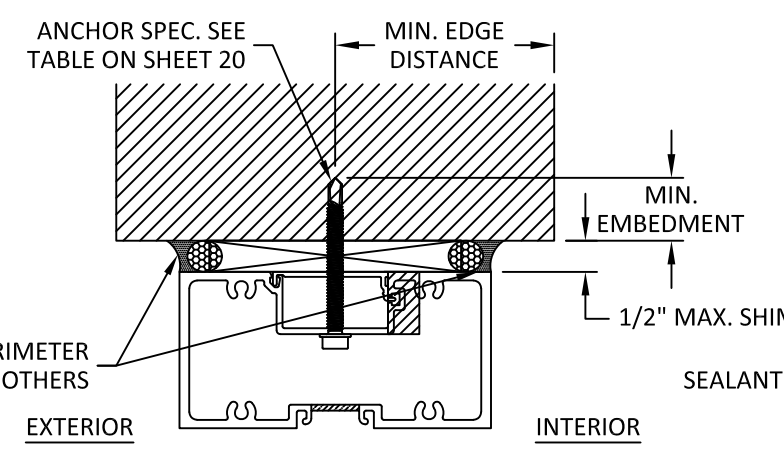
DWG. #: **OBE012**

SHEET: **18**
OF 23

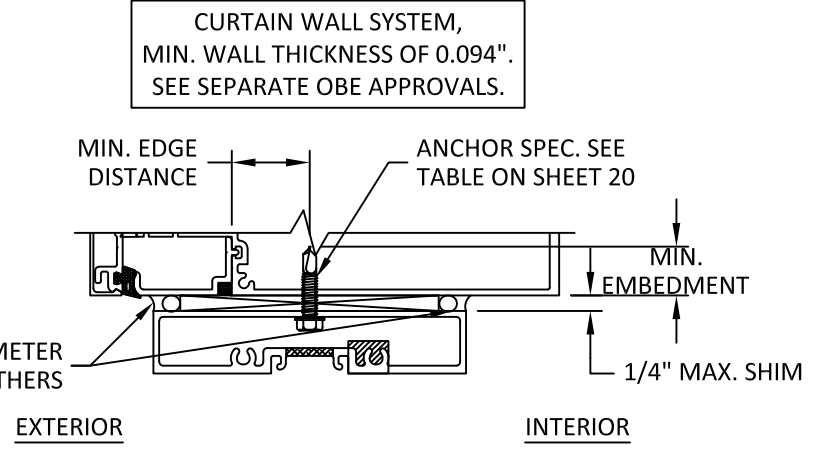
c:\users\msun\building_drops, inc\building_drops, inc\projects\oldcastle_building_envelope\lbc-24-0633 - fbc_submittal - f46731_rugged_stormmax_entrance_doors (missile level e)\dwgs\lbc012.dwg 6/18/2024 5:06 PM



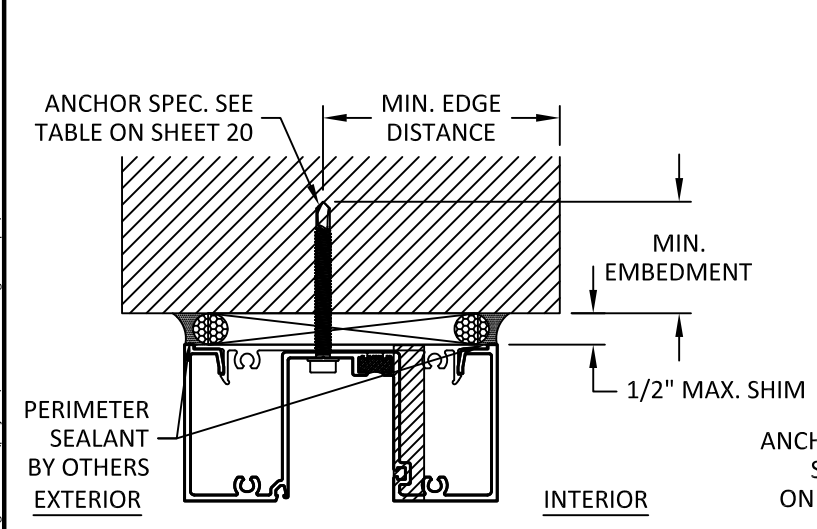
R
19
INSTALLATION DETAIL
DOOR HEAD
CONCEALED CLOSER



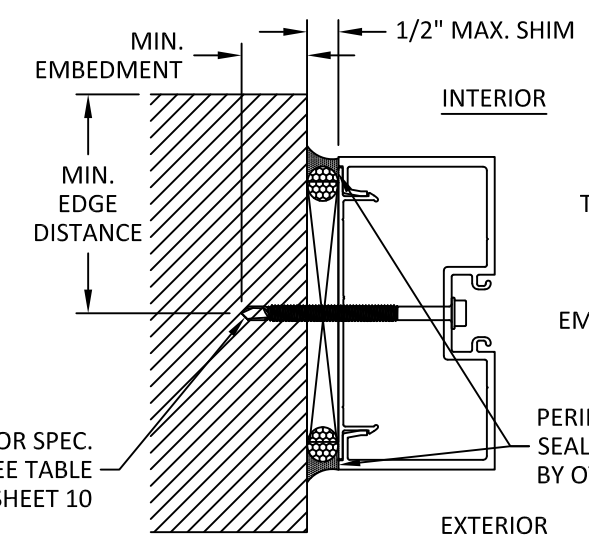
S
19
INSTALLATION DETAIL
DOOR HEAD
SURFACE CLOSER



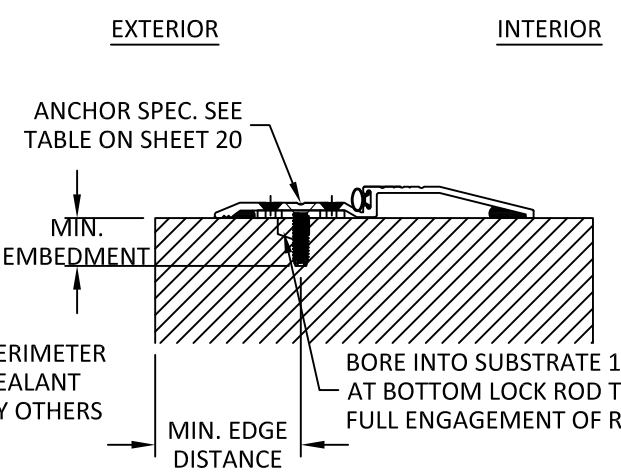
T
19
INSTALLATION DETAIL
DOOR HEAD TO CURTAIN WALL FRAME



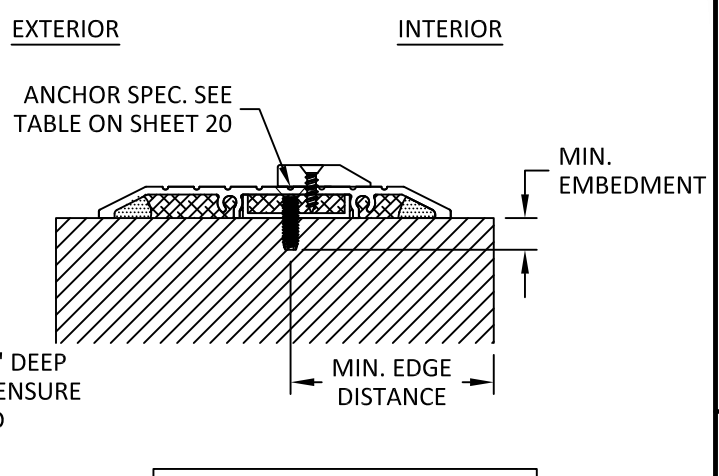
U
19
INSTALLATION DETAIL
TRANSOM HEAD



V
19
INSTALLATION DETAIL
TRANSOM JAMB



W
19
INSTALLATION DETAIL
DOOR SILL
BUMPER THRESHOLD



X
19
INSTALLATION DETAIL
DOOR SILL
SADDLE THRESHOLD

NOTE: SADDLE THRESHOLD IS NOT APPLICABLE FOR USE WITH FIRST CHOICE CVR EXIT DEVICE.

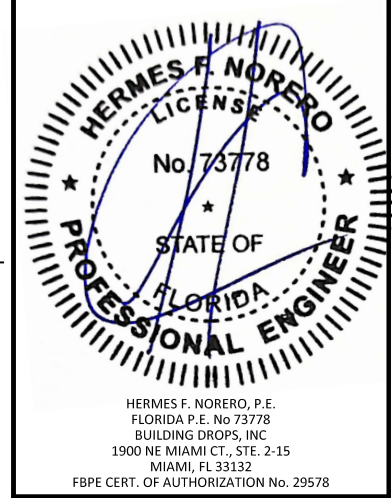
TITLE: RUGGED STORMMAX ENTRANCE DOOR (HVHZ) (MISSILE LEVEL E IMPACT RATED)

INSTALLATION DETAILS

PREPARED BY: BUILDING DROPS, INC.
 1900 NE MIAMI CT., STE. 2-15
 MIAMI, FL 33132
 PH: (954) 399-8478
 FAX: (954) 744-4738
 WEB: www.buildingdrops.com

REMARKS	BY	DATE
MISC. REVISION	MS	6/18/2024

THE INSTALLATION DETAILS DESCRIBED HEREIN ARE GENERIC AND MAY NOT REFLECT ACTUAL CONDITIONS FOR A SPECIFIC SITE. IF SITE CONDITIONS CAUSE INSTALLATION TO DEVIATE FROM THE REQUIREMENTS DETAILED HEREIN, A LICENSED ENGINEER OR ARCHITECT SHALL PREPARE SITE SPECIFIC DOCUMENTS FOR USE WITH THIS DOCUMENT.



FL #: **FL46731**

DATE: **04.11.2024**

DWG. BY: **MS** CHK. BY: **HFN**

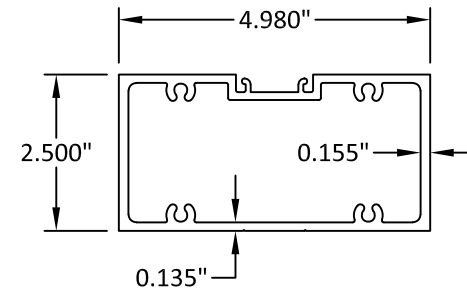
SCALE: **NTS**

DWG. #: **OBE012**

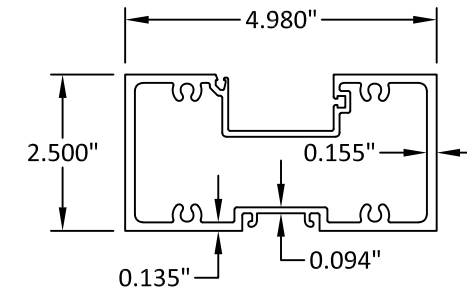
SHEET: **19**

BILL OF MATERIALS

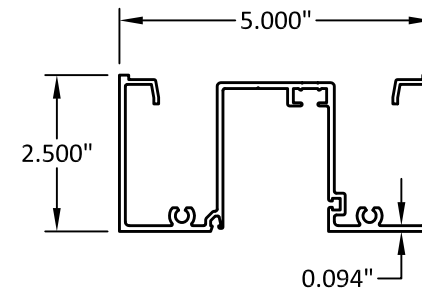
ITEM #	PART #	DESCRIPTION	MATERIAL	MANUFACTURER
1	FG-5765	DOOR HEADER (CONCEALED CLOSER)	ALUMINUM 6063-T6	OBE
2	FG-5767	DOOR HEADER (SURFACE CLOSER)	ALUMINUM 6063-T6	OBE
3	FGT-5770	TRANSOM HEADER	ALUMINUM 6063-T6	OBE
4	-	-	-	-
5	D-239	DOOR HEADER (CURTAIN WALL FRAME)	ALUMINUM 6063-T6	OBE
6	D-226	DOOR JAMB (CURTAIN WALL FRAME)	ALUMINUM 6063-T6	OBE
7	TH-67	BUMPER THRESHOLD	ALUMINUM 6063-T5	OBE
8	TH-57	SADDLE THRESHOLD	ALUMINUM 6063-T5	OBE
9	D-1886	DOOR TOP RAIL	ALUMINUM 6063-T5	OBE
10	D-1887	DOOR TOP RAIL	ALUMINUM 6063-T5	OBE
11	D-1892	DOOR TOP/MID-RAIL	ALUMINUM 6063-T6	OBE
12	D-1918	DOOR TOP/MID-RAIL	ALUMINUM 6063-T6	OBE
13	D-1888	DOOR BOTTOM/MID-RAIL	ALUMINUM 6063-T6	OBE
14	D-1894	DOOR BOTTOM/MID-RAIL	ALUMINUM 6063-T6	OBE
15	FG-5713	DOOR JAMB	ALUMINUM 6063-T6	OBE
16	D-1880	DOOR HINGE STILE (MEDIUM)	ALUMINUM 6063-T5	OBE
17	D-1881	DOOR INACTIVE MEETING STILE (MEDIUM)	ALUMINUM 6063-T6	OBE
18	D-1883	DOOR ACTIVE MEETING STILE (MEDIUM)	ALUMINUM 6063-T6	OBE
19	D-1902	DOOR HINGE STILE (WIDE)	ALUMINUM 6063-T6	OBE
20	D-1901	DOOR INACTIVE MEETING STILE (WIDE)	ALUMINUM 6063-T6	OBE
21	D-1903	DOOR ACTIVE MEETING STILE (WIDE)	ALUMINUM 6063-T6	OBE
22	DS-104	DOOR STOP (CONCEALED CLOSER)	ALUMINUM 6063-T5	OBE
23	FG-5171	DOOR STOP (SURFACE CLOSER & JAMB)	ALUMINUM 6063-T6	OBE
24	FG-5768	DOOR STOP	ALUMINUM 6063-T5	OBE
25	FG-5769	SASH STOP	ALUMINUM 6063-T5	OBE
26	FG-5181	TRANSOM SASH	ALUMINUM 6063-T5	OBE
27	-	-	-	-
28	-	-	-	-
29	S-99	EXTERIOR GLASS STOP (INSULATING GLASS)	ALUMINUM 6063-T5	OBE
30	S-98	INTERIOR GLASS STOP	ALUMINUM 6063-T5	OBE
31	S-83	EXTERIOR GLASS STOP (MONOLITHIC GLASS)	ALUMINUM 6063-T6	OBE
32	SC-1	SPRING CLIP	SPRING STEEL	VARIES
33	FG-5777	POCKET FILLER	ALUMINUM 6063-T5	OBE
34	D-62	MID-RAIL FILLER	ALUMINUM 6063-T5	OBE
35	-	-	-	-
36	FG-5718	DOOR HEADER FILLER	ALUMINUM 6063-T6	OBE
37	FG-5715	FLAT FILLER	ALUMINUM 6063-T6	OBE
38	D-118	DOOR SWEEP RETAINER	ALUMINUM 6063-T5	OBE
39	TH-60	THRESHOLD ANCHOR PLATE	ALUMINUM 6063-T5	OBE
40	AC-112-1	DOOR HEADER SHEAR BLOCK (CONCEALED CLOSER)	ALUMINUM 6063-T6	OBE
41	CB-1887	CORNER BLOCK (USE WITH D-1887)	ALUMINUM 6063-T6	OBE
42	CB-1888	CORNER BLOCK (USE WITH D-1888)	ALUMINUM 6063-T6	OBE
43	CB-1892	CORNER BLOCK (USE WITH D-1892)	ALUMINUM 6063-T6	OBE
44	FG-5764	DOOR HEADER REINFORCEMENT (48" LENGTH)	ALUMINUM 6063-T6	OBE
45	AS-6	ADJUSTABLE ASTRAGAL	ALUMINUM 6063-T6	OBE
46	BP-8	BACKUP PLATE	9 GA. STEEL	VARIES
47	CB-1886	CORNER BLOCK (USE WITH D-1886)	ALUMINUM 6063-T6	OBE
48	CB-1894	CORNER BLOCK (USE WITH D-1894)	ALUMINUM 6063-T6	OBE
49	CB-1918	CORNER BLOCK (USE WITH D-1918)	ALUMINUM 6063-T6	OBE
50	D-120	BOTTOM RAIL SWEEP	SILICONE 50 +/- 5 DUROMETER	VARIES
51	D-123	SETTING BLOCK	RIGID PVC	VARIES
52	D-125	BULB GASKET	SANTOPRENE/POLYPROPYLENE	VARIES
53	FG-1133	GASKET	EPDM 70 +/-5 SHORE A DUROMETER	VARIES
54	FG-5000-PP-1	SETTING BLOCK	EPDM 85 +/-5 SHORE A DUROMETER	VARIES
55	FG-5125	GASKET	EPDM 70 +/-5 SHORE A DUROMETER	VARIES
56	FG-5188	SPACER GASKET	SILICONE 70 +/-5 SHORE A DUROMETER	VARIES



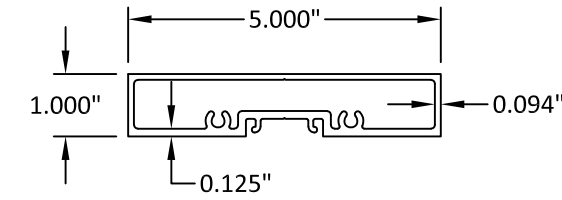
① DOOR HEADER (CONCEALED CLOSER)



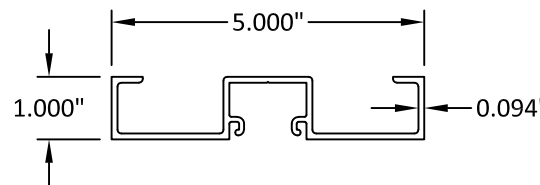
② DOOR HEADER (SURFACE CLOSER)



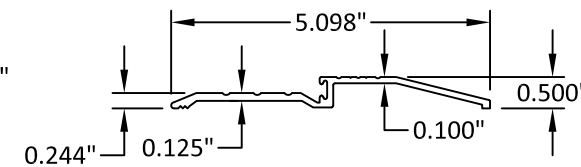
③ TRANSOM HEADER



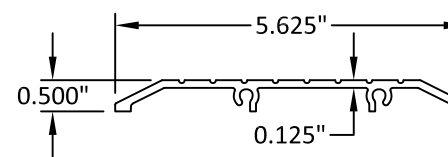
⑤ DOOR HEADER (CW FRAME)



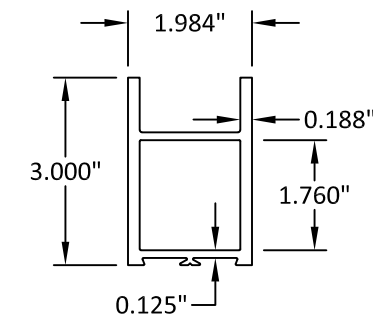
⑥ DOOR JAMB (CW FRAME)



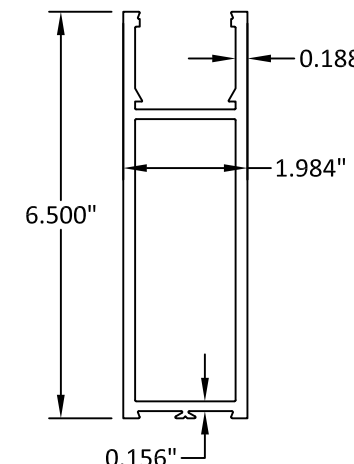
⑦ BUMPER THRESHOLD



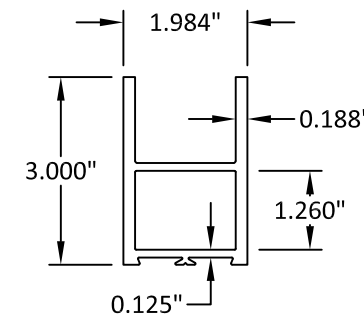
⑧ SADDLE THRESHOLD



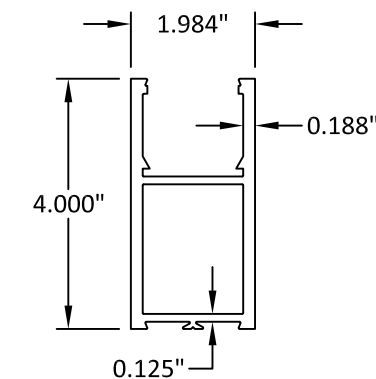
⑨ DOOR TOP RAIL



⑫ DOOR TOP/MID-RAIL



⑩ DOOR TOP RAIL



⑪ DOOR TOP/MID-RAIL



OLDCASTLE BUILDINGENVELOPE®
8655 ELM FAIR BLVD.
TAMPA, FL 33610
PH: (972) 551-6100

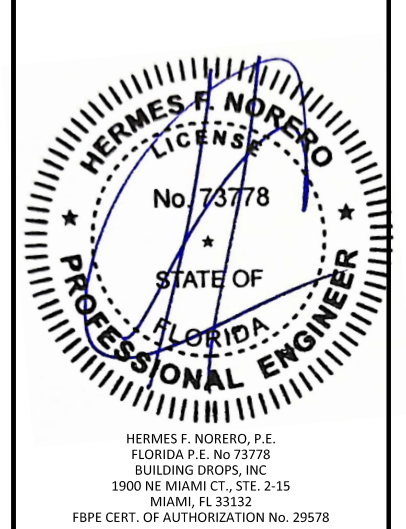
TITLE: RUGGED STORMMAX ENTRANCE DOOR (HVHZ) (MISSILE LEVEL E IMPACT RATED)

PREPARED BY: BUILDING DROPS, INC.
1900 NE MIAMI CT., STE. 2-15
MIAMI, FL 33132
PH: (954) 399-8478
FAX: (954) 744-4738
WEB: www.buildingdrops.com

BUILDING DROPS

REMARKS	BY	DATE
MISC. REVISION	MS	6/18/2024

THE INSTALLATION DETAILS DESCRIBED HEREIN ARE GENERIC AND MAY NOT REFLECT ACTUAL CONDITIONS FOR A SPECIFIC SITE. IF SITE CONDITIONS CAUSE INSTALLATION TO DEVIATE FROM THE REQUIREMENTS DETAILED HEREIN, A LICENSED ENGINEER OR ARCHITECT SHALL PREPARE SITE SPECIFIC DOCUMENTS FOR USE WITH THIS DOCUMENT.



HERMES F. NORERO, P.E.
FLORIDA P.E. No. 73778
BUILDING DROPS, INC.
1900 NE MIAMI CT., STE. 2-15
MIAMI, FL 33132
FBPE CERT. OF AUTHORIZATION No. 29578

FL #: **FL46731**

DATE: **04.11.2024**

DWG. BY: **MS** CHK. BY: **HFN**

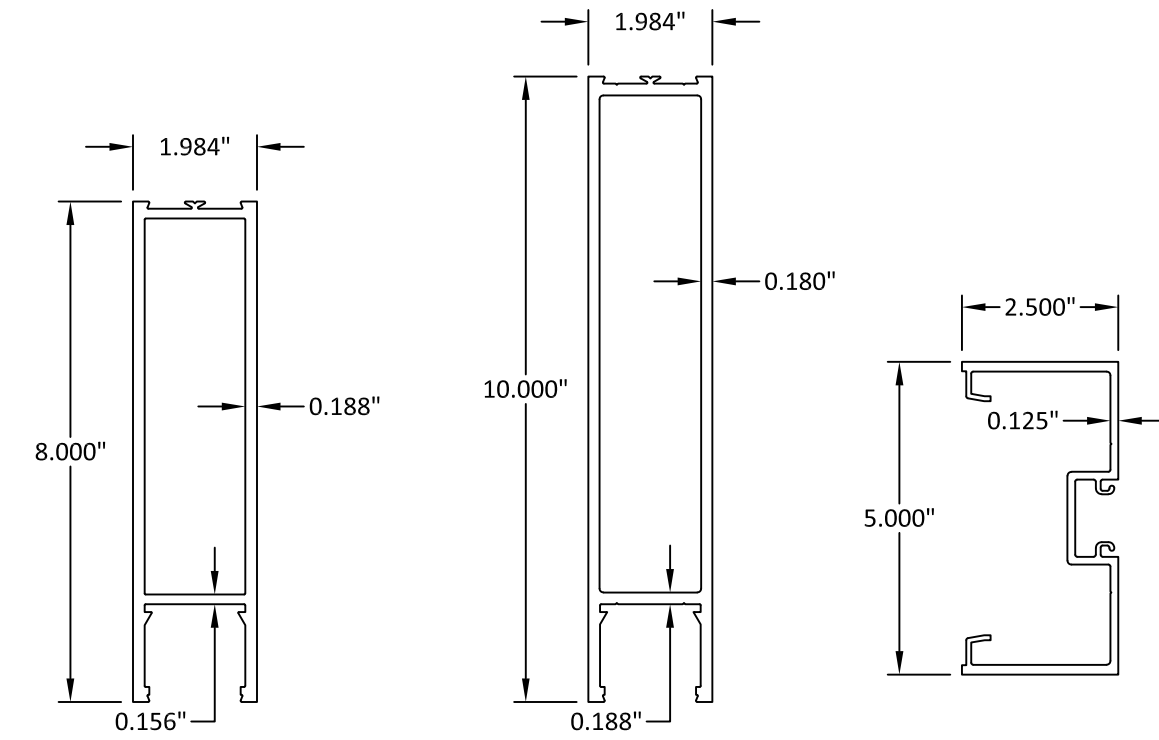
SCALE: **NTS**

DWG. #: **OBE012**

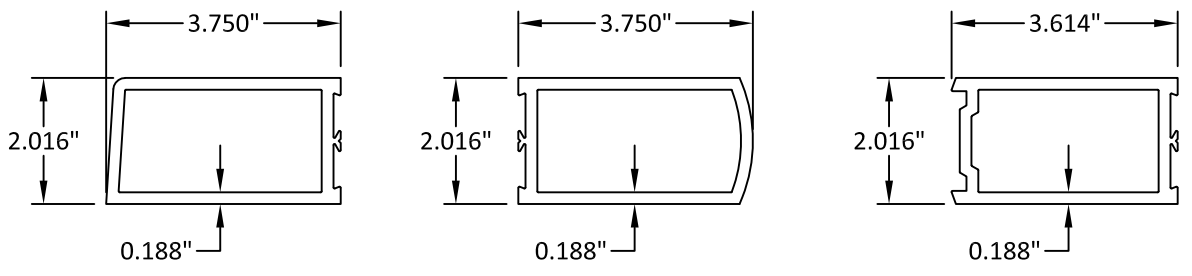
c:\users\msun\building_drops, inc\building_envelope\lbc-24-0633 - fbc_submittal - f146731_rugged_stormmax_entrance_doors (missile level e) (dwg) (lbc) (1).dwg

BILL OF MATERIALS (CONT.)

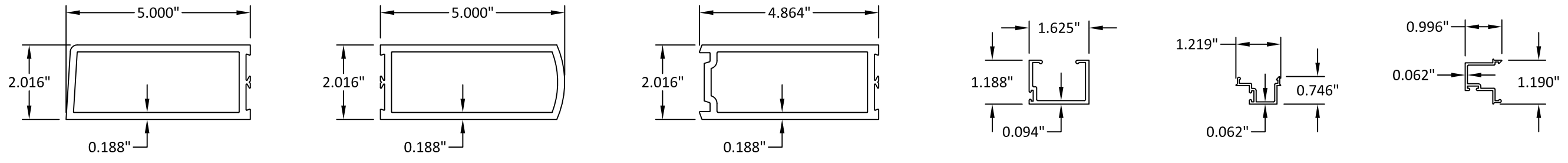
ITEM #	PART #	DESCRIPTION	MATERIAL	MANUFACTURER
57	FG-5731	SPACER GASKET	SILICONE 70 +/-5 SHORE A DUROMETER	VARIES
58	FG-5736	GASKET	EPDM 70 +/-5 SHORE A DUROMETER	VARIES
59	FS-114	#8 X 3/8 PHIL PAN T/S TYPE A	STEEL	VARIES
60	FS-139	1/4-20 X 1 UNSLOT IND SERRATED WASHER M/S	STEEL	VARIES
61	FS-140	1/4-20 X 3/4 SLOT IND SERRATED HEX WASHR T/C TYPE F	STEEL	VARIES
62	FS-15	3/16 BRAZIER HD DRIVE RIVET	ALUMINUM	VARIES
63	FS-16	#10-24 X 1/4" UCPFH MS	STEEL	VARIES
64	FS-18	1/4-20 X 2 1/2 PHIL TRUSS M/S	STEEL	VARIES
65	FS-2	#8 X 1/2 PHIL FLAT T/S TYPE A	18-8 STAINLESS STEEL	VARIES
66	FS-201	#10 X 2 PHIL FLAT T/S TYPE A	STEEL	VARIES
67	FS-22	12-24 X 1/2 PHIL FLAT M/S W/ UNDERCUT	STEEL	VARIES
68	FS-231	10-24 X 5/8 PHIL FLAT M/S	18-8 STAINLESS STEEL	VARIES
69	FS-235	1/4-20 X 5/8 PHIL FLAT M/S	18-8 STAINLESS STEEL	VARIES
70	FS-255	#14 X 3/4 PHIL FLAT T/S TYPE A W/ UNDERCUT	18-8 STAINLESS STEEL	VARIES
71	FS-322	#12-14 x 1" HWH #3 pt Drill Flex	STEEL	VARIES
72	FS-336	1/4 X 1 1/8 HEX WASHER SELF-DRILL SCR/4	STEEL	VARIES
73	FS-49	#8 X 3/4 PHIL OVAL T/S TYPE A	STEEL	VARIES
74	FS-50	8-32 X 1/2 PHIL FLAT M/S	STEEL	VARIES
75	FS-58	#10 X 1 PHIL FLAT T/S TYPE B	STEEL	VARIES
76	FS-6	#10 X 3/4 PHIL PAN T/S TYPE B	STEEL	VARIES
77	FS-7	#10 X 3/4" PFH B PT	STEEL	VARIES
78	FS-8	1/4 X 1 UNSLOT IND HEX T/S TYPE B	STEEL	VARIES
79	FSN-90	1/4-20 THREADED HEX INSERT	ALUMINUM	VARIES
80	HP-92S	SETTING BLOCK	SILICONE 85 +/-5 SHORE A DUROMETER	VARIES
81	MH-2	GLASS ADJUSTMENT SCREW CAP	ACETAL BLACK	VARIES
82	SM-5601	SEALANT TAPE	ISOCRYLBUTYLENE	VARIES
83	TH-403	THRESHOLD CLIP	STEEL	VARIES
84	TH-68-01	PANIC STOP	ALUMINUM 6063-T5	OBE
85	WP-085	WOOL PILE	-	VARIES



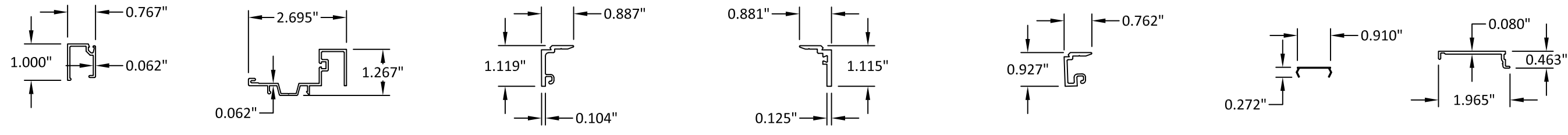
13 DOOR BOTTOM/MID-RAIL 14 DOOR BOTTOM/MID-RAIL 15 DOOR JAMB



16 HINGE STILE (MEDIUM) 17 INACTIVE STILE (MEDIUM) 18 ACTIVE STILE (MEDIUM)



19 HINGE STILE (WIDE) 20 INACTIVE STILE (WIDE) 21 INACTIVE STILE (WIDE) 22 DOOR STOP (COC) 23 DOOR STOP (SMC) 24 DOOR STOP



25 SASH STOP 26 TRANSOM SASH 29 EXT. GLASS STOP (INS.) 30 INT. GLASS STOP 31 EXT. GLASS STOP (MONO.) 32 SPRING CLIP 33 POCKET FILLER

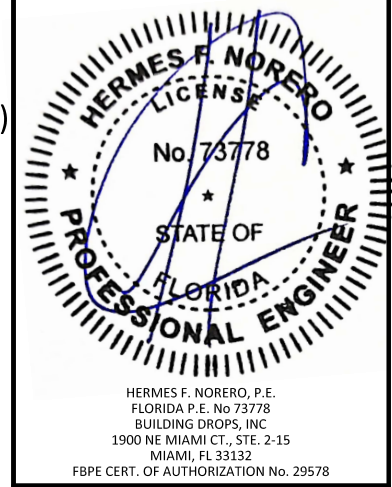


OLDCASTLE BUILDINGENVELOPE®
8655 ELM FAIR BLVD.
TAMPA, FL 33610
PH: (972) 551-6100

TITLE: RUGGED STORMMAX ENTRANCE DOOR (HVHZ) (MISSILE LEVEL E IMPACT RATED)
BILL OF MATERIALS & COMPONENTS
PREPARED BY: BUILDING DROPS, INC.
1900 NE MIAMI CT., STE. 2-15
MIAMI, FL 33132
PH: (954) 399-8278
FAX: (954) 744-4738
WEB: www.buildingdrops.com

REMARKS	BY	DATE
MISC. REVISION	MS	6/18/2024

THE INSTALLATION DETAILS DESCRIBED HEREIN ARE GENERIC AND MAY NOT REFLECT ACTUAL CONDITIONS FOR A SPECIFIC SITE. IF SITE CONDITIONS CAUSE INSTALLATION TO DEVIATE FROM THE REQUIREMENTS DETAILED HEREIN, A LICENSED ENGINEER OR ARCHITECT SHALL PREPARE SITE SPECIFIC DOCUMENTS FOR USE WITH THIS DOCUMENT.



FL #: FL46731

DATE: 04.11.2024

DWG. BY: MS CHK. BY: HFN

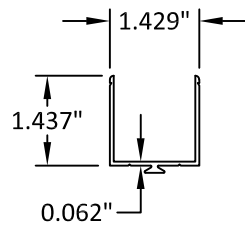
SCALE: NTS

DWG. #: OBE012

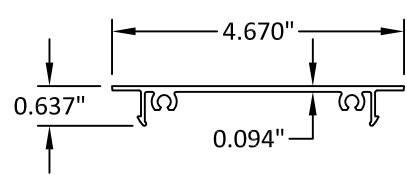
SHEET: 22

c:\users\msun\building_drops, inc\building_drops\oldcastle_building_envelope\bc-24-0633 - fbc_submittal - f46731_rugged_stormmax_entrance_doors (missile level e) (dwg) (obs) 012.dwg 6/18/2024 5:06 PM

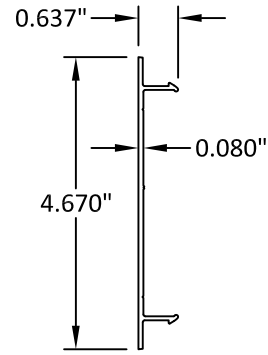
c:\users\msun\building_drops, inc\building_drops, inc\building_envelope\bc-24-0633 - fbc_submittal - f46731_rugged_stormmax_entrance_doors (missile level e)\dwg\labe012.dwg 6/18/2024 5:06 PM



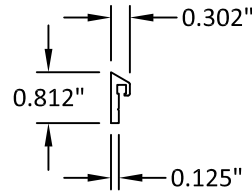
34 MID-RAIL FILLER



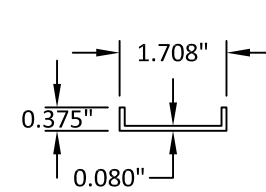
36 DOOR HEADER FILLER



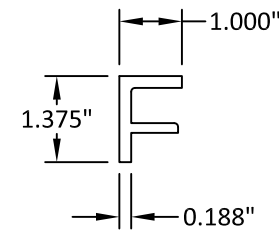
37 FLAT FILLER



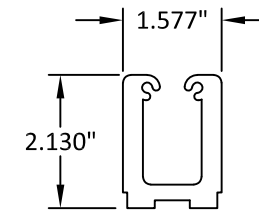
38 DOOR SWEEP RETAINER



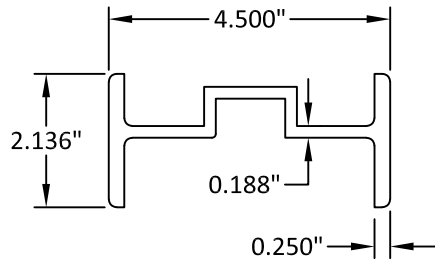
39 ANCHOR PLATE



40 SHEAR BLOCK (COC)



41 42 43
47 48 49 CORNER BLOCK



44 REINFORCEMENT



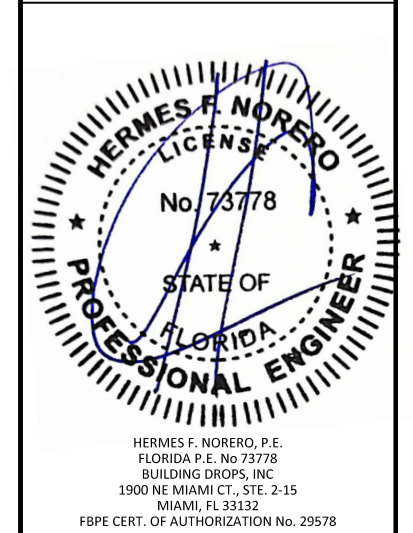
OLDCASTLE BUILDINGENVELOPE®
8655 ELM FAIR BLVD.
TAMPA, FL 33610
PH: (972) 551-6100

TITLE: RUGGED STORMMAX ENTRANCE DOOR (HVHZ) (MISSILE LEVEL E IMPACT RATED)	COMPONENTS
	PREPARED BY: BUILDING DROPS

BUILDING DROPS, INC.
1900 NE MIAMI CT., STE. 2-15
MIAMI, FL 33132
PH: (954) 399-8478
FAX: (954) 744-4738
WEB: www.buildingdrops.com

REMARKS	BY	DATE
MISC. REVISION	MS	6/18/2024

THE INSTALLATION DETAILS DESCRIBED HEREIN ARE GENERIC AND MAY NOT REFLECT ACTUAL CONDITIONS FOR A SPECIFIC SITE. IF SITE CONDITIONS CAUSE INSTALLATION TO DEVIATE FROM THE REQUIREMENTS DETAILED HEREIN, A LICENSED ENGINEER OR ARCHITECT SHALL PREPARE SITE SPECIFIC DOCUMENTS FOR USE WITH THIS DOCUMENT.



FL #:	FL46731
DATE:	04.11.2024
DWG. BY:	MS
CHK. BY:	HFN
SCALE:	NTS
DWG. #:	OBE012
SHEET:	23